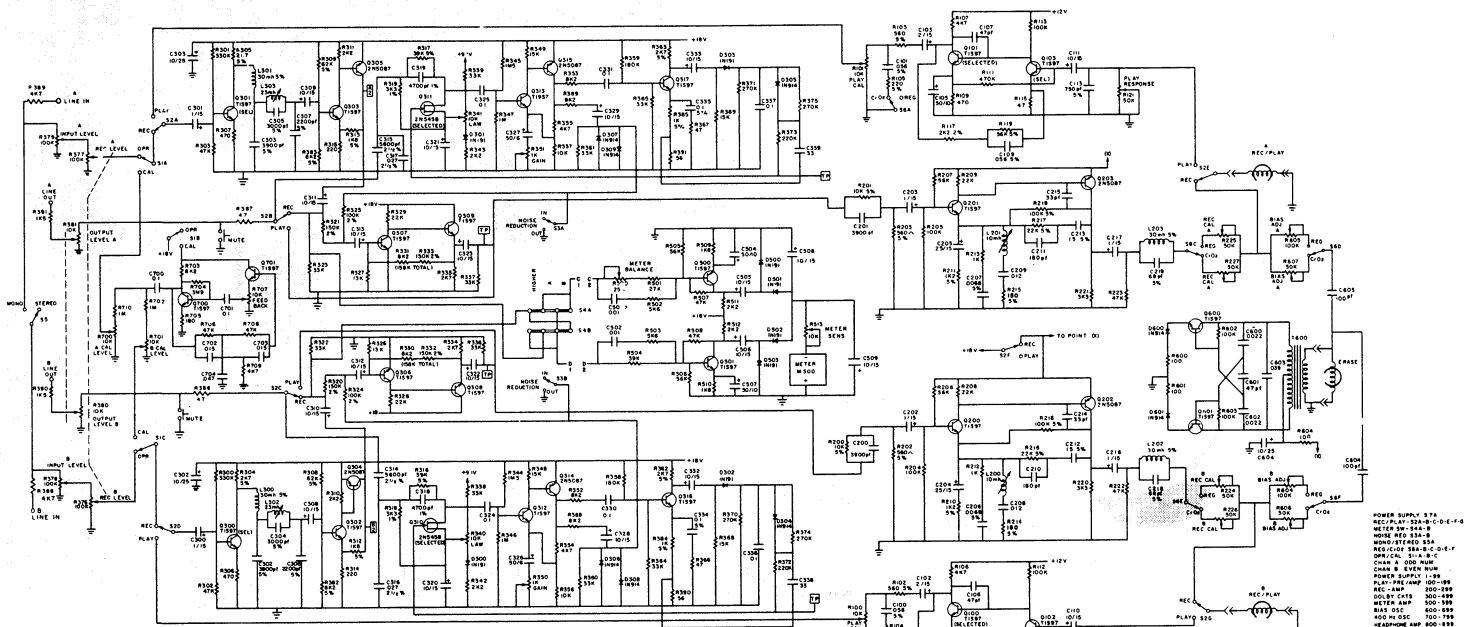


# ADVENT

STEREO CASSETTE RECORDING SYSTEM  
DESIGNED AND MANUFACTURED BY ADVENT CORPORATION

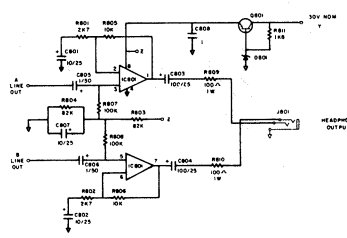
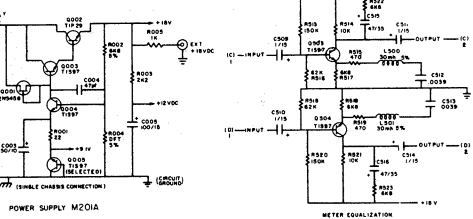


POWER SUPPLY S74  
REC. PL. 2200 C-0-C-F-0  
METER SW-24-A-8  
METER RES-24-B-8  
METER STROBE S24  
REC. COIL REAR-C-0-C-F-7  
OP. CAL. S11-A-B-C  
CLEAN & GOOD NAME  
CLEAN. & BEEN RUN  
POWER SUPPLY 1-88  
PLAY-REC. AMP 000-98  
REC. AMP 000-198  
OSC. CAL. CDS 000-198  
METER AMP 000-198  
BASE SEC. 000-198  
REC. IN. OSC. 000-198  
HEADPHONE AMP 000-198

M201A REV-6  
11 14 76  
F 2  
10/17  
RFO  
ECO NO. 226-152

ADJUST PLAY CAL CONTROLS ONLY  
BY USING DOLBY LEVEL CASSETTE  
AVAILABLE FROM ADVENT.

120 VAC  
60 HZ.  
25 WATTS



PLAY CAL B



PLAY CAL A



OSC CAL A