

SERVICE MANUAL

ADDITIONAL INFORMATION

CASSETTE TAPE DECK

CT-3131

PV, Q, KU, KC

CT-4141

PV, Q, KU, KC

NOTE:

**BOTH MODELS CT-4141 AND CT-3131 COME IN FOUR VERSIONS
DISTINGUISHED AS FOLLOWS:**

| Pound label on rear panel | Voltage | Type |
|--------------------------------------|--|---|
| KC KU PV Q | 120V only 120V only 120V/220V 120V/240V | CSA approved (Canada) UL approved (U.S.A.) SEV approved (Switzerland) General export model |

ELECTRO-PARTS OF CT-4141

- CAPACITORS: IN μ F UNLESS OTHERWISE NOTED p: pF
- RESISTORS: IN Ω , $\frac{1}{4}$ W UNLESS OTHERWISE NOTED k: k Ω , M: M Ω

Common Parts of PV, Q, KC and KU Models

CAPACITORS

| Symbol | Description | Part No. |
|--------|------------------|--------------|
| C2 | Mylar 0.01 50V | CQMA 103K 50 |
| C3 | Mylar 0.0015 50V | CQMA 152K 50 |
| C4 | Mylar 0.0015 50V | CQMA 152K 50 |

RESISTORS AND POTENTIOMETERS

| Symbol | Description | Part No. |
|--------|---------------------------|--------------------------|
| R1 | Carbon film 330k | RD $\frac{1}{4}$ PS 334J |
| R2 | Carbon film 330k | RD $\frac{1}{4}$ PS 334J |
| R3 | Carbon film 3.3k | RD $\frac{1}{4}$ PS 332J |
| R4 | Carbon film 3.3k | RD $\frac{1}{4}$ PS 332J |
| R5 | Carbon film 56k | RD $\frac{1}{4}$ PS 563J |
| R6 | Carbon film 56k | RD $\frac{1}{4}$ PS 563J |
| R7 | Carbon film 15k | RD $\frac{1}{4}$ VS 153J |
| R8 | Carbon film 15k | RD $\frac{1}{4}$ VS 153J |
| VR103 | Slide type (REC.-L) 20k-A | RCW-001-0 |
| VR104 | Slide type (P.B.-L) 20k-A | RCW-001-0 |
| VR203 | Slide type (REC.-R) 20k-A | RCW-001-0 |
| VR204 | Slide type (P.B.-R) 20k-A | RCW-001-0 |

OTHERS

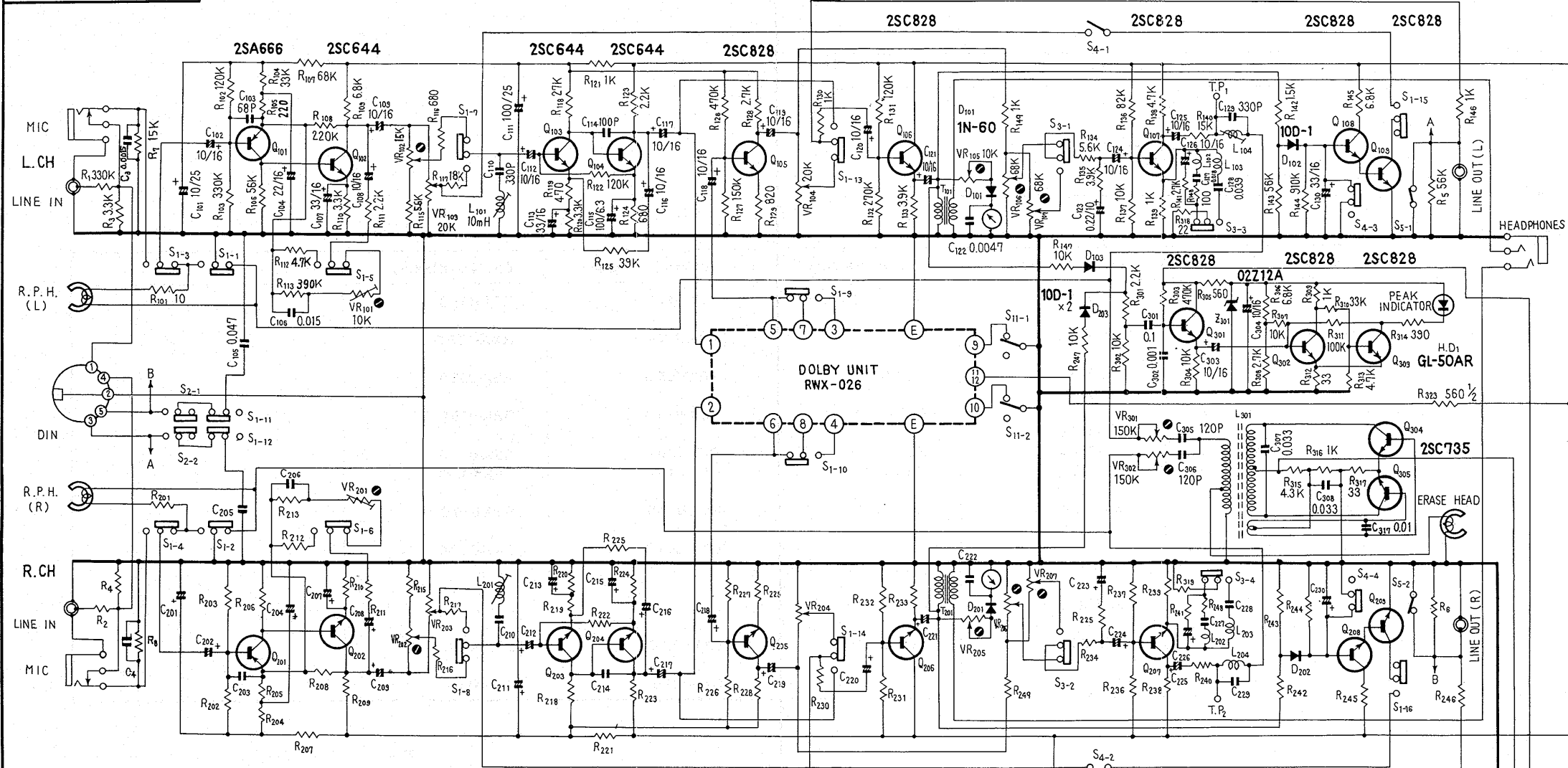
| Symbol | Description | Part No. |
|--------|--------------------------------|-----------|
| | REC./P.B. amplifier-A assembly | RWF-012-1 |
| | DOLBY circuit assembly | RWX-026-C |
| | Sensing circuit assembly | RWG-026-B |
| | Push switch circuit-A assembly | RWS-007-0 |
| | Switch circuit-C assembly | RWS-010-0 |
| R.P.H. | REC./P.B. head assembly | RXX-083 |
| E.H. | Erasing head | RPB-014-0 |
| M | Motor | RXM-006-0 |
| SD | Solenoid | N15-410-C |
| | Level meter | RAW-011-A |
| S2 | Push switch Q (SKIP) | RSG-009-A |
| S6,S7 | Spring switch C (Motor, Stop) | RSN-001-A |
| S10 | Spring switch (PAUSE) | RSK-014-0 |
| S13 | Sensing switch assembly | RSX-032-0 |
| S14 | Spring switch B (REW.) | RSK-019-A |
| PL1 | Lamp (Meter) | E22-020-0 |
| PL2 | Lamp | REL-009-0 |
| PL3 | Lamp (Red) | REL-008-0 |
| PL4 | Lamp (DOLBY) | E22-020-0 |
| | Lamp socket | RKK-006-0 |

| Symbol | Description | Part No. |
|--------|-------------------------------|-----------|
| H.D1 | Lamp board | RNP-073-A |
| | Jack board assembly (C) | RNK-013-C |
| | Terminal strip 3P | RKC-009-0 |
| | Terminal strip 3P (UL) | RKC-012-0 |
| | Light-emitting diode GL-50AR5 | |

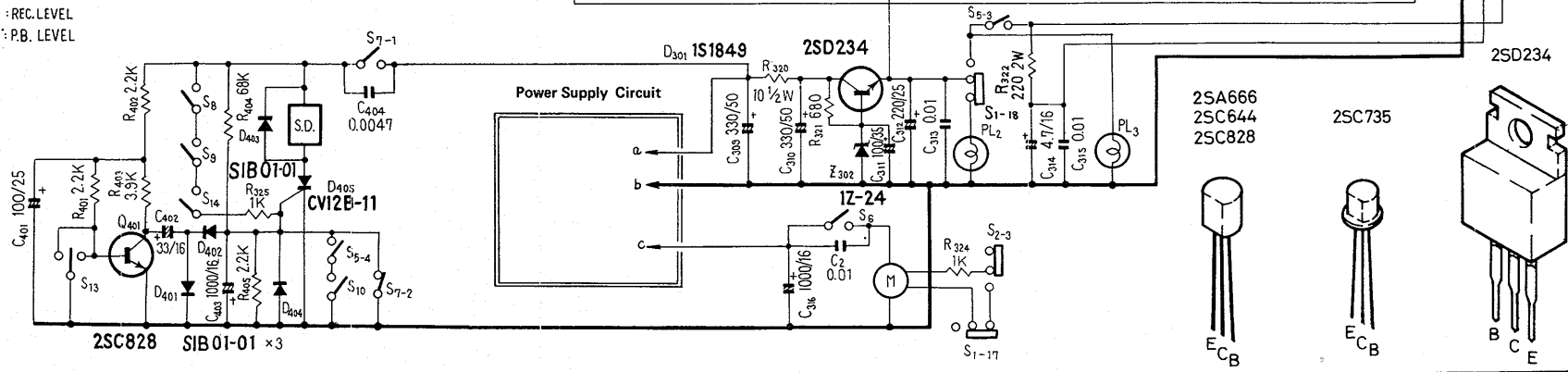
Distinguishing Parts

| Symbol | Description | Part No. (PV model) | Part No. (Q model) | Part No. (KC model) | Part No. (KU model) |
|--------|--------------------------------------|---------------------|--------------------|---------------------|---------------------|
| S12 | Power transformer | RTT-038-B | RTT-043-Q | RTT-041-0 | RTT-041-0 |
| | Fuse holder assembly (4P) | RXX-125-0 | RXX-126-0 | RXX-127-0 | RXX-127-0 |
| | Fuse (Primary) 0.5A | REK-016-0 | REK-016-0 | AEK-005-0 | AEK-005-0 |
| | Fuse (Secondary) Amp. 0.3A | | REK-018-0 | REK-015-0 | REK-015-0 |
| | 0.5A | REK-017-0 | | | |
| | Motor 0.5A | REK-017-0 | REK-017-0 | REK-016-0 | REK-016-0 |
| | Lamp 0.5A | REK-017-0 | REK-017-0 | REK-016-0 | REK-016-0 |
| | Push switch (POWER) | RSA-011-0 | RSA-011-0 | RSA-010-0 | RSA-010-0 |
| | Jack board assembly (A) | | | RKN-012-0 | RKN-012-0 |
| | (B) | RKN-014-A | RKN-014-A | | |
| S15 | Slide switch (Line voltage selector) | RSH-018-0 | RSH-018-0 | | |
| C1 | AC power cord | ADG-004-0 | ADG-004-0 | D11-003-E | D11-003-E |
| | Ceramic capacitor 0.01 μF 1.4kV | | | C43-003-0 | C43-003-0 |

CT-4141

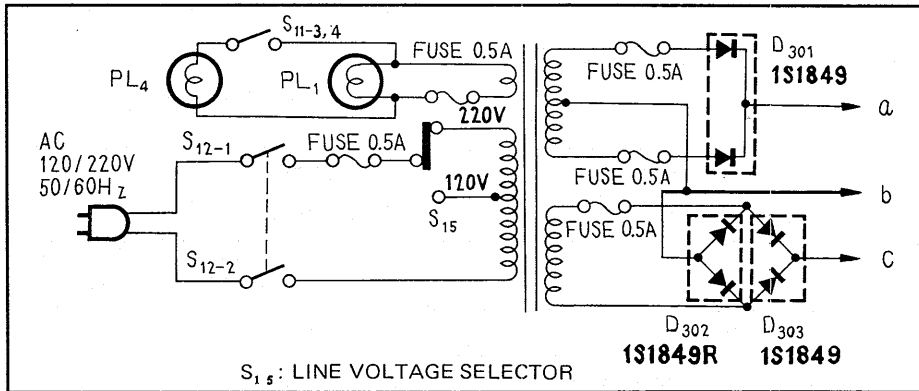


- S₁ : REC. - PLAY
 - S₂ : SKIP SW. (ON-OFF)
 - S₃ : TAPE SELECTOR (NORMAL - CHROME)
 - S₄ : LIMITER S.W. (ON-OFF)
 - S₅ : MUTING S.W. (ON-OFF)
 - S₆ : MOTOR S.W. (ON-OFF)
 - S₇ : AUTO STOP S.W. (ON-OFF)
 - S₈ : MEMORY S.W. (ON-OFF)
 - S₉ : COUNTER S.W. (ON-OFF)
 - S₁₀ : PAUSE S.W. (ON-OFF)
 - S₁₁ : DOLBY S.W. (ON-OFF)
 - S₁₂ : POWER S.W. (ON-OFF)
 - S₁₃ : SENSING S.W.
 - S₁₄ : REW. S.W.
- VR_{103, 203} : REC. LEVEL
 VR_{104, 204} : P.B. LEVEL



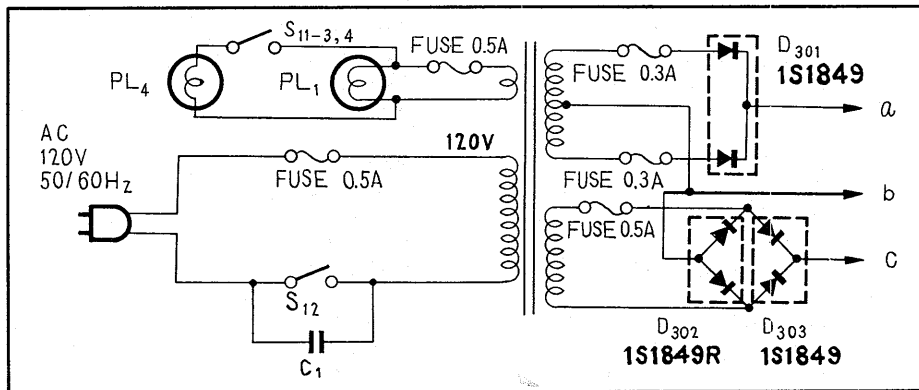
POWER SUPPLY CIRCUIT (CT-4141)

PV model (120V/220V, SEV approved)

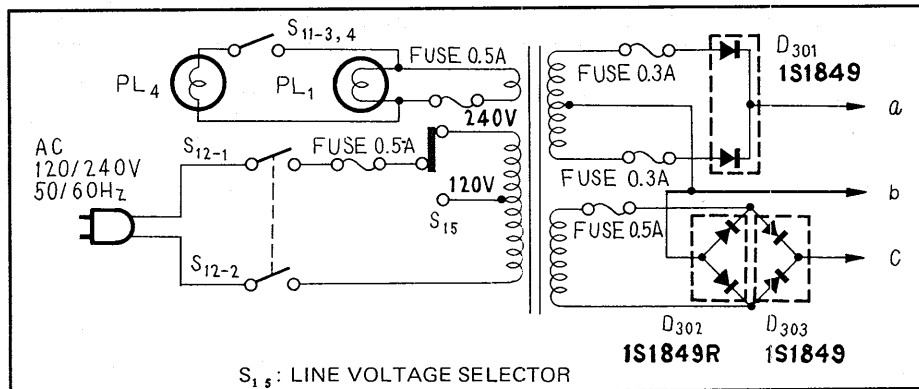


KU model (120V only, UL approved)

KC model (120V only, CSA approved)



Q model (120V/240V)



ELECTRO-PARTS OF CT-3131

- CAPACITORS: IN μ F UNLESS OTHERWISE NOTED p: pF
- RESISTORS: IN Ω , $\frac{1}{4}$ W UNLESS OTHERWISE NOTED k: k Ω , M: M Ω

Common Parts of PV, Q, KC and KU Models

CAPACITOR

| Symbol | Description | Part No. |
|--------|----------------|--------------|
| C69 | Mylar 0.01 50V | CQMA 103K 50 |

POTENTIOMETERS

| Symbol | Description | Part No. |
|--------|----------------------------|-----------|
| VR1 | Slide type (LEVEL-L) 20k-A | RCW-001-0 |
| VR2 | Slide type (LEVEL-R) 20k-A | RCW-001-0 |

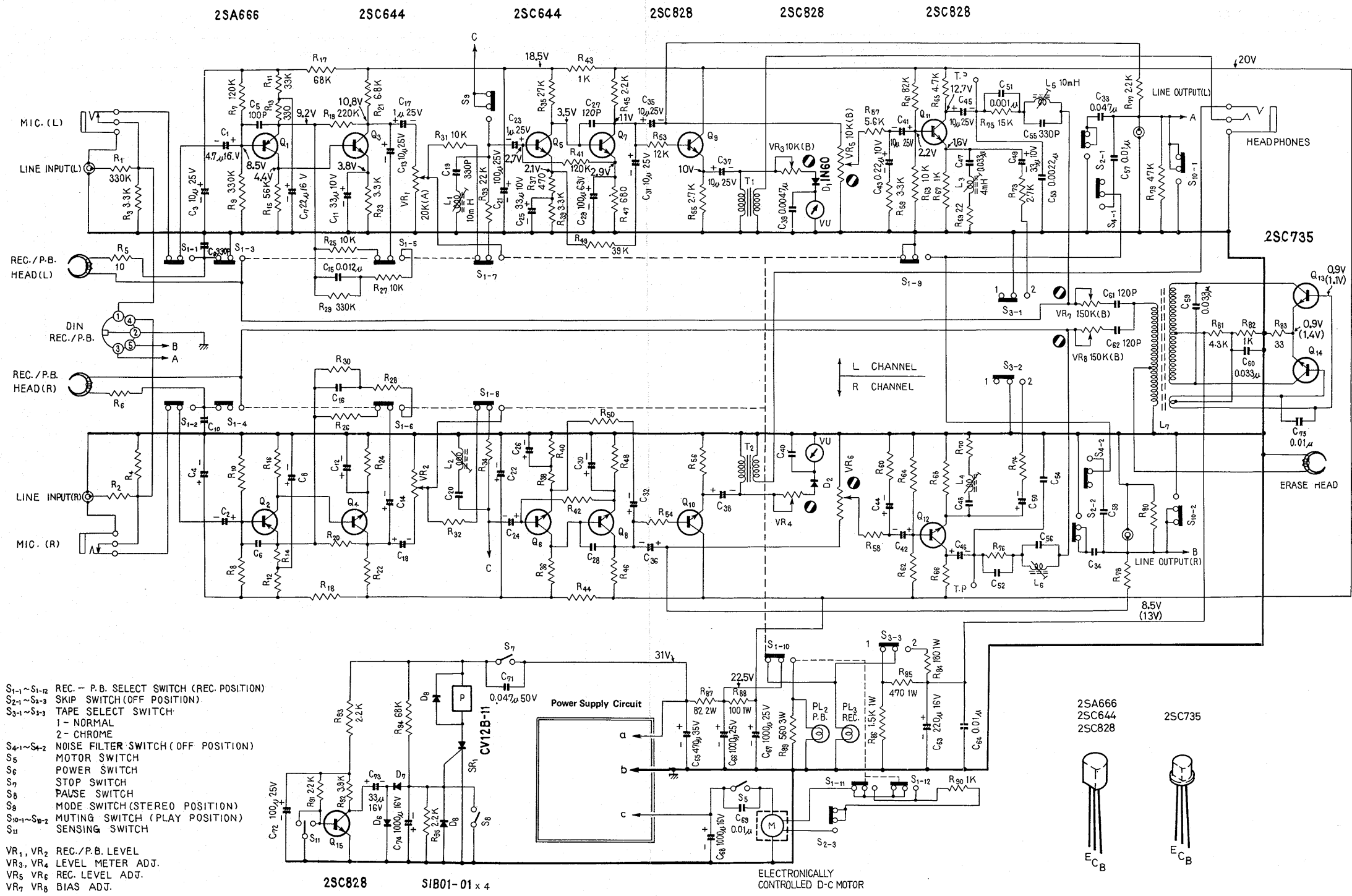
OTHERS

| Symbol | Description | Part No. |
|-------------|------------------------------|-----------|
| VU | REC./P.B. amplifier assembly | RWF-011-G |
| | Sensing circuit assembly | RWG-026-B |
| | Muting switch assembly | RWS-005-0 |
| | Push switch circuit assembly | RWS-006-0 |
| | Level meter | RAW-011-A |
| P S2 | REC./P.B. head assembly | RXX-099 |
| | Erasing head | RPB-014-0 |
| | Motor | RXM-006-0 |
| | Solenoid | N15-410-C |
| S5,S7 S8 | Spring switch (Motor, stop) | RYA-042-0 |
| | Spring switch (PAUSE) | RSK-014-0 |
| | Sensing switch assembly | RSX-032-0 |
| PL1 PL2 | Lamp (Meter) | E22-020-0 |
| | Lamp | REL-009-0 |
| PL3 | Lamp (Red) | REL-008-0 |
| | Lamp socket | RKK-006-0 |
| | Jack board assembly (C) | RNK-013-C |
| | Terminal strip 3P | RKC-009-0 |
| | Terminal strip 3P (UL) | RKC-012-0 |

Distinguishing Parts

| Symbol | Description | Part No. (PV model) | Part No. (Q model) | Part No. (KC model) | Part No. (KU model) |
|--------|--------------------------------------|---------------------|--------------------|---------------------|---------------------|
| | Power transformer | RTT-037-A | RTT-042-A | RTT-040-0 | RTT-040-0 |
| | Fuse holder assembly (4P) | RXX-125-0 | RXX-126-0 | RXX-127-0 | RXX-127-0 |
| | Fuse (Primary) 0.5A | REK-016-0 | REK-016-0 | AEK-005-0 | AEK-005-0 |
| | Fuse (Secondary) Amp. 0.5A | | REK-018-0 | REK-015-0 | REK-015-0 |
| | Motor 0.5A | REK-017-0 | | | |
| | Lamp 0.5A | REK-017-0 | REK-017-0 | REK-016-0 | REK-016-0 |
| S6 | Push switch (POWER) | RSA-011-0 | RSA-011-0 | RSA-010-0 | RSA-010-0 |
| | Jack board assembly (A) | | | RKN-012-0 | RKN-012-0 |
| | (B) | RKN-014-A | RKN-014-A | | |
| S12 | Slide switch (Line voltage selector) | RSH-018-0 | RSH-018-0 | | |
| | AC power cord | ADG-004-0 | ADG-004-0 | D11-003-E | D11-003-E |
| C70 | Ceramic capacitor 0.01 μF 1.4kV | | | C43-003-0 | C43-003-0 |

CT-3131

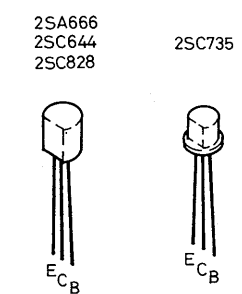


- S₁₋₁~S₁₋₂ REC. - P.B. SELECT SWITCH (REC. POSITION)
- S₂₋₁~S₂₋₃ SKIP SWITCH (OFF POSITION)
- S₃₋₁~S₃₋₃ TAPE SELECT SWITCH
1 - NORMAL
2 - CHROME
- S₄₋₁~S₄₋₂ NOISE FILTER SWITCH (OFF POSITION)
- S₅ MOTOR SWITCH
- S₆ POWER SWITCH
- S₇ STOP SWITCH
- S₈ PAUSE SWITCH
- S₉ MODE SWITCH (STEREO POSITION)
- S₁₀₋₁~S₁₀₋₂ MUTING SWITCH (PLAY POSITION)
- S₁₁ SENSING SWITCH

- VR₁, VR₂ REC./P.B. LEVEL
- VR₃, VR₄ LEVEL METER ADJ.
- VR₅, VR₆ REC. LEVEL ADJ.
- VR₇, VR₈ BIAS ADJ.

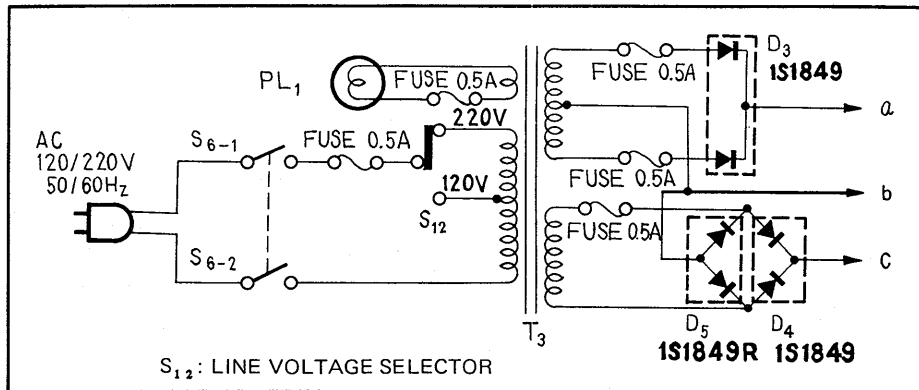
2SC828 SIB01-01 x 4

ELECTRONICALLY CONTROLLED D-C MOTOR



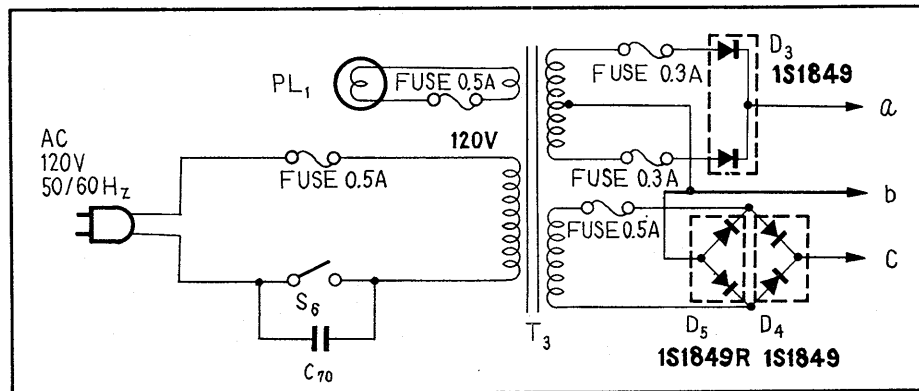
POWER SUPPLY CIRCUIT (CT-3131)

PV model (120V/220V, SEV approved)

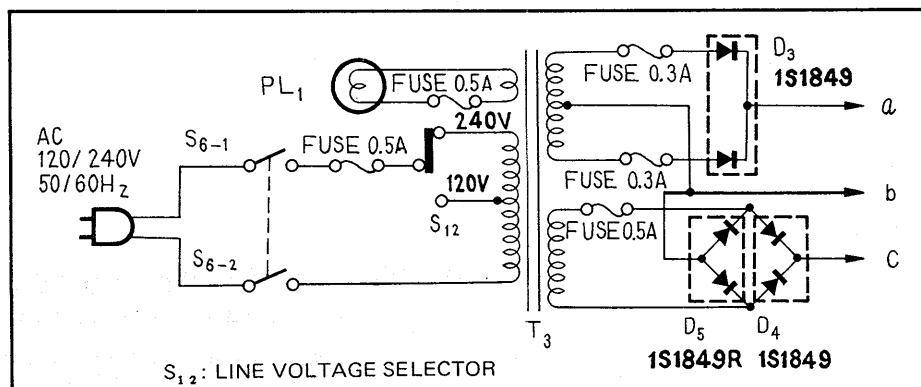


KU model (120V only, UL approved)

KC model (120V only, CSA approved)



Q model (120V/240V)



PIONEER ELECTRONIC CORPORATION

15-5, 4-Chome, Ohmori-nishi, Ohra-ku, Tokyo, Japan

U.S. PIONEER ELECTRONICS CORPORATION

178 Commerce Road, Carlstadt, New Jersey 07072 U.S.A.

PIONEER ELECTRONIC (EUROPE) N.V.

Meir-center, Meir 21, 2000 Antwerp, Belgium

© MAR. 1973

PRINTED IN JAPAN