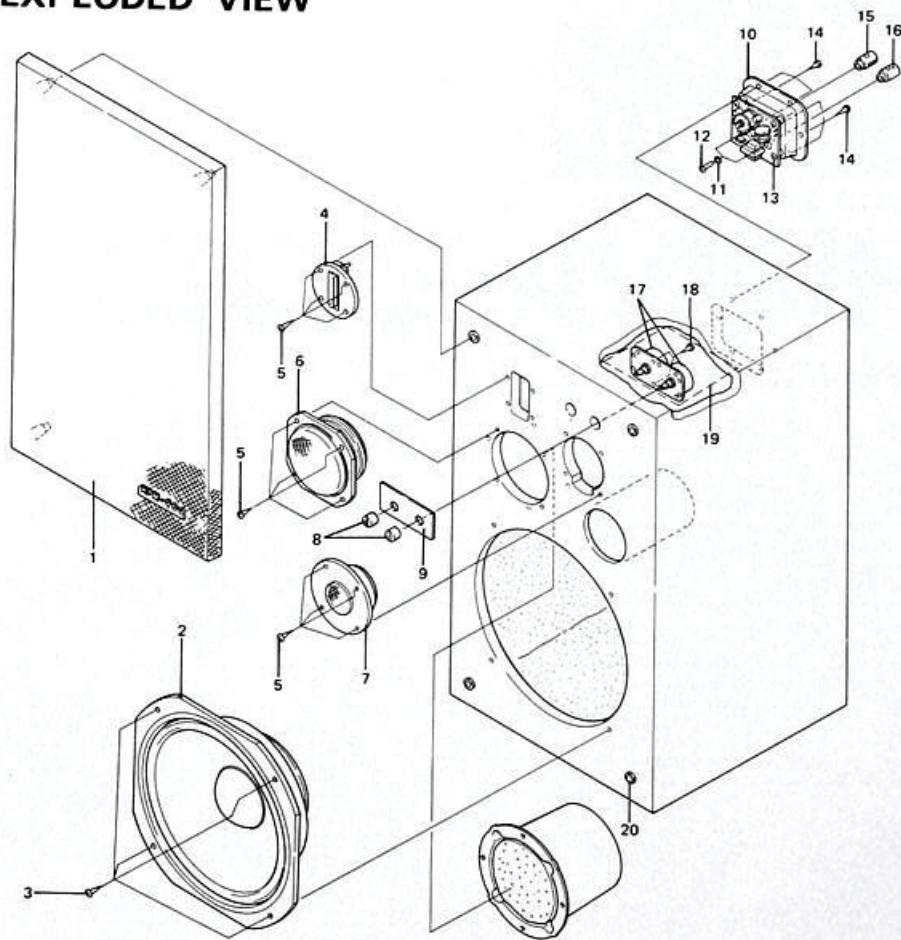


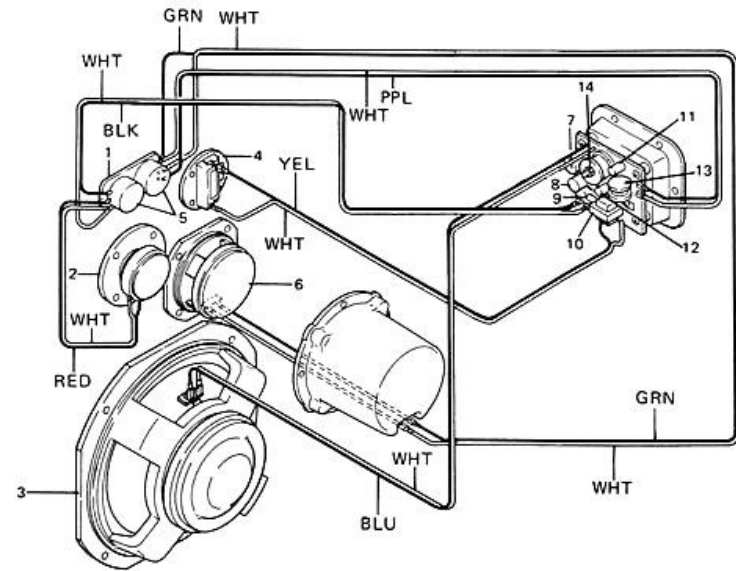
2. EXPLODED VIEW



Parts List

Key No.	Part No.	Description	Key No.	Part No.	Description
1.	SMG-232	Grille	11.	WH30FMC	Washer
2.	30-758A	Woofer	12.	BMZ30P160FMC	Screw
3.	BNC60P250FZK	Screw	13.	RTZ30P080FMC	Screw
4.	HP-018A	Super tweeter	14.	OWC31P160FZK	Screw
5.	BNC40P200FZK	Screw	15.	SKE-008	Terminal (RED)
6.	10-734A	Mid range	16.	SKE-007	Terminal (BLACK)
7.	45-717A	Tweeter	17.	SCS-015	Attenuator
8.	SAA-054	Knob	18.	RWC31P130FMC	Screw
9.	SAX-194	Level control plate	19.	SWL-009	Level control assembly
10.	SWN-249	Network assembly	20.	SEB-075	Catch

3. WIRING DIAGRAM

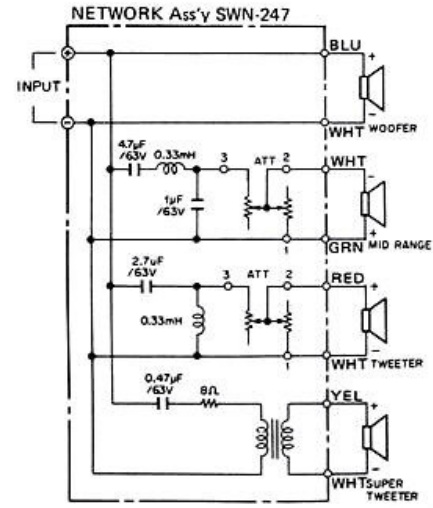


NOTE:
 • Parts without part number cannot be supplied.

Parts List

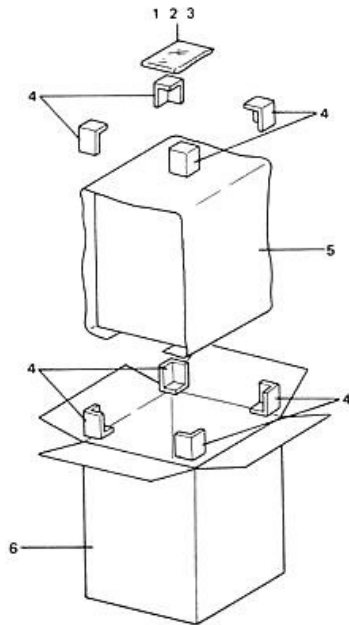
Key No.	Part No.	Description
1.	SWL-009	Level control assembly
2.	45-717A	Tweeter
3.	30-758A	Woofer
4.	HP-018A	Super tweeter
5.	SCS-015	Attenuator
6.	10-734A	Mid range
7.	CES04DX 4R7K 63	Capacitor
8.	CES04DX 2R7K 63	Capacitor
9.	RTF2Q8R0J28AL	Resistor
10.	STV-013	Transformer
11.	CES04 1R0K 100	Capacitor
12.	CES04 R47K 63	Capacitor
13.		Coil (0.33mH 0.25Ω)
14.		Coil (0.33mH 0.16Ω)

4. NETWORK CIRCUIT



5. PACKING

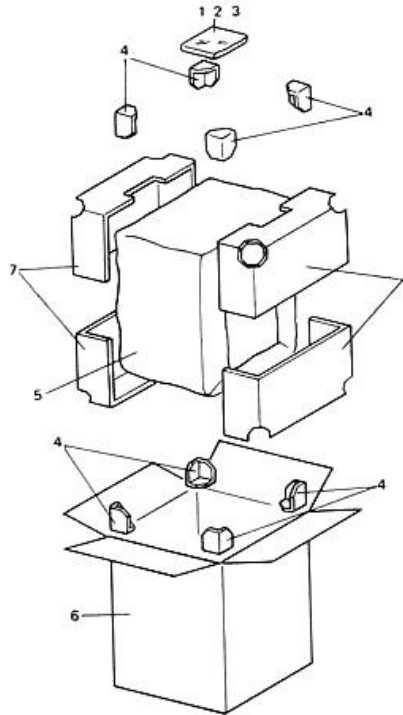
HPM-900/CA



Parts List of HPM-900/CA

Key No.	Part No.	Description
1.	SHL-185	Vinyl bag
2.	SRB-239	Operating guide
3.	KDD-012	Cord
4.	SHA-102	Pad
5.	SHL-141	Cover
6.	SHG-439	Packing case

HPM-900/G



Parts List of HPM-900/G

Key No.	Part No.	Description
1.	SHL-185	Vinyl bag
2.	SRB-239	Operating guide
3.	KDD-012	Cord
4.	SHB-002	Pad
5.	SHL-049	Cover
6.	SHG-438	Packing case
7.	SHA-136	Protector