

JA-R102



The JA-R102 rack mount adaptor is designed to meet EIA standards. If you mount the adaptor onto the Pioneer stereo cassette tape deck with dimensions like those indicated in the Fig. 2 below, you will be able to install the deck into a rack designed to meet EIA standards (like the Pioneer JA-R2S) with a 4 unit mounting pitch. Provide yourself with a medium-sized Phillips screwdriver.

LIST OF PARTS

Handgrips	2	Collar head screws	4
Side panels	2	(M4 x 15)	
Brackets	2	Oval countersunk screws . . .	4
Pan head screws	4	(M5 x 16)	
(M5 x 14)		Angular washers	4
Washers	4	Fiber washers	4

MOUNTING PROCEDURE

The JA-R102 adaptors are mounted on the left-hand and right-hand sides of the cassette tape deck's front panel. The parts can be used for either side but the side panels have a front and a reverse side. Make sure that you mount the side panels so that the side with the same finish as the front panel faces you.

1. Sandwich the side panel between the handgrip and the bracket and secure loosely with the accessory pan head screws (M5 x 14) and the washers. Do the same for the other adaptor (Fig. 1).
2. Unscrew the four screws each on the left and right sides which secure the tape deck's bonnet.
3. Secure the JA-R102 adaptors now assembled onto the front panel loosely with the accessory collar head screws (M4 x 15) (Fig. 2).
4. Adjust the difference in level (a) between the front panel and the side panels and also the gap between the two (b) to the minimum and then tighten up all the loose screws (Fig. 3).

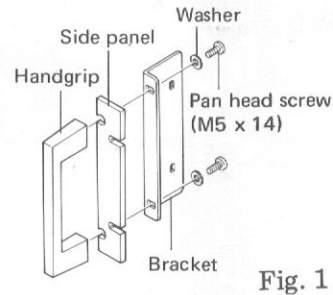


Fig. 1

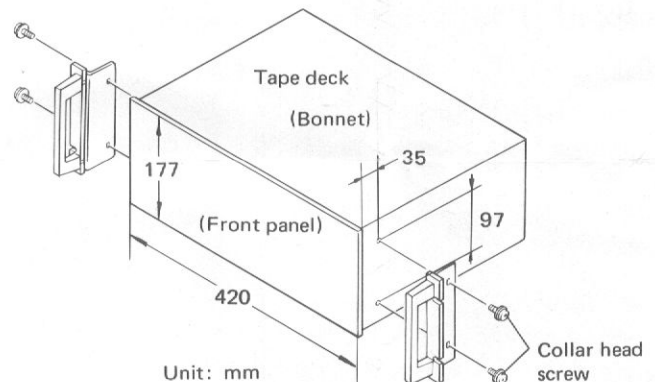


Fig. 2

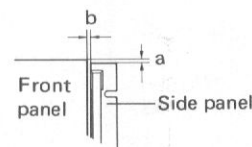


Fig. 3

RACK MOUNTING

1. Remove the rubber feet (4) from the tape deck, using the Phillips screwdriver (this is not necessary if you leave a gap between the components).
2. As shown in Fig. 4, lay the rack down with the mounting face pointing upward.
3. Insert the tape deck gently from a vertical position, and align them with the EIA standard mounting holes (mounting pitch: 4U).
4. Screw the tape deck into place using the accessory oval countersunk screws (M5 x 16), angular washers and fiber washers (four of each) and a Phillips screwdriver.

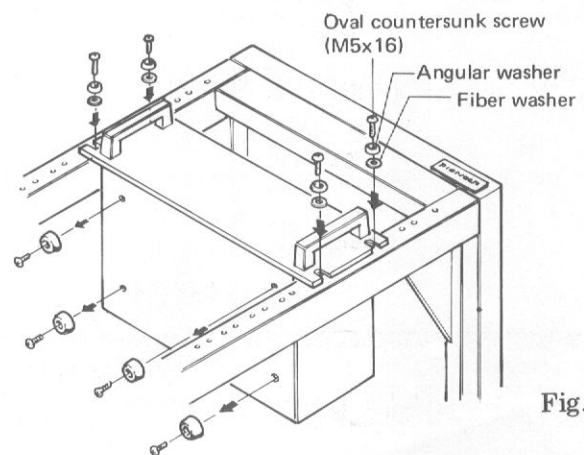


Fig. 4