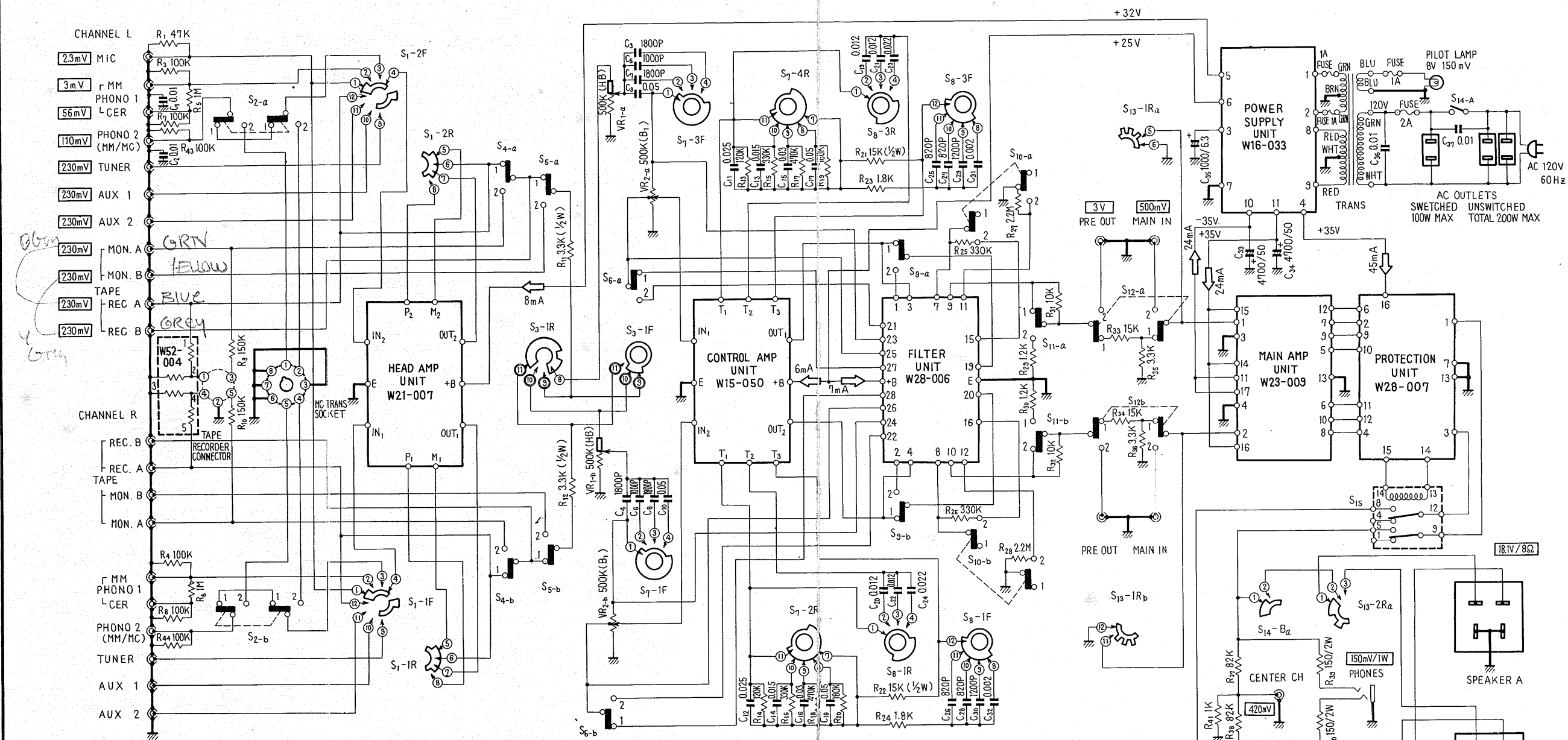


SA-800



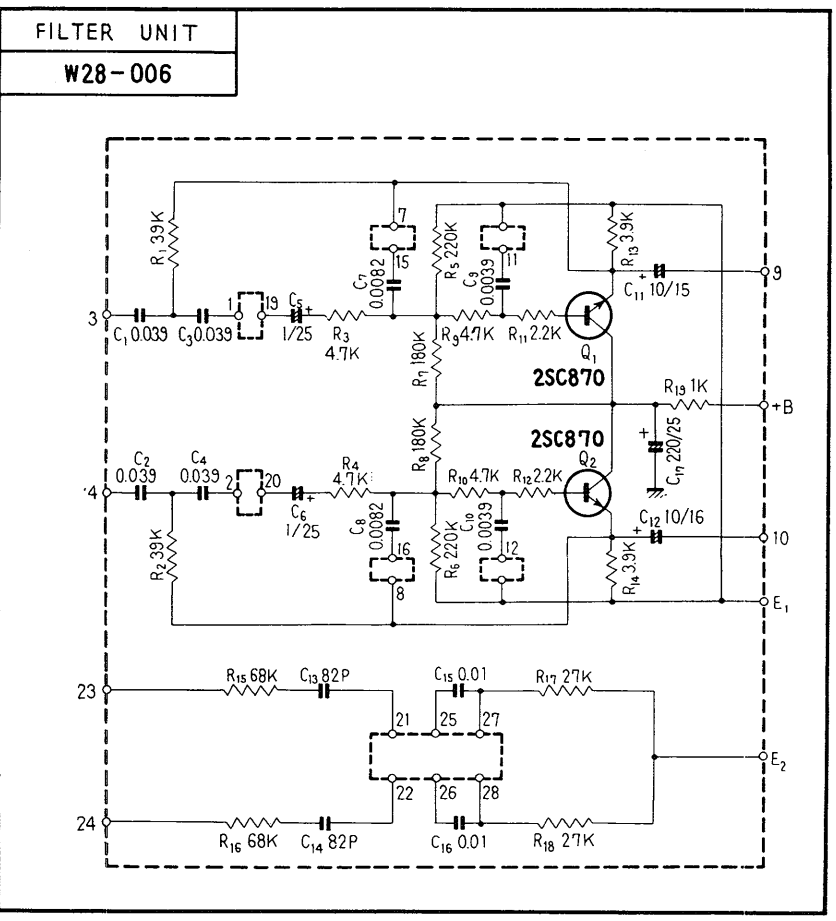
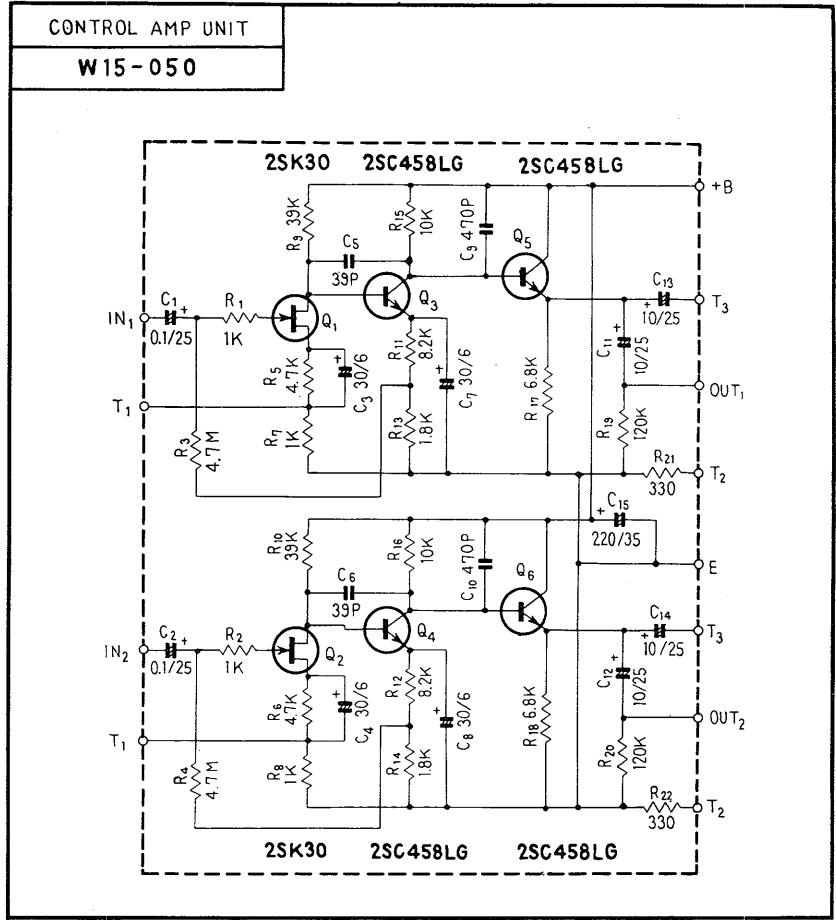
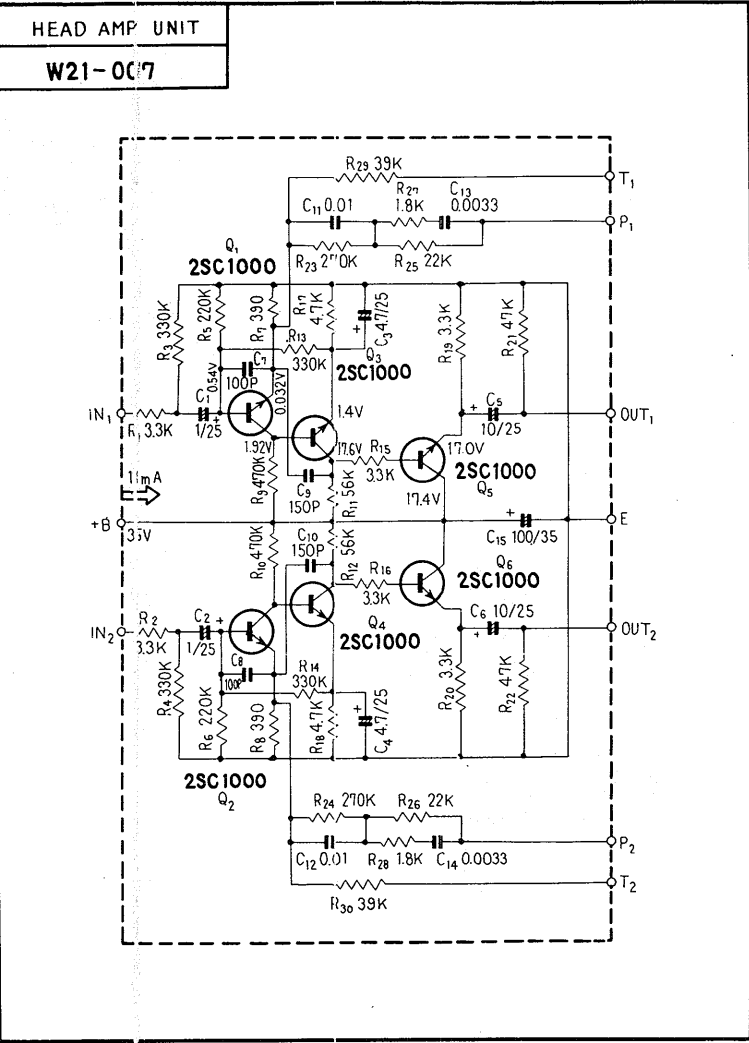
- SWITCHES**
- S₁ INPUT SELECTOR
1. MIC 2. PHONO 1 3. PHONO 2 4. TUNER 5. AUX 1 6. AUX 2
 - S₂ PHONO 2 SELECTOR
1. MM 2. MC
 - S₃ MODE SELECTOR
1. REV 2. NORM 3. L 4. R 5. L+R
 - S₄ TAPE MONITOR 1 SW.
1. OFF 2. ON
 - S₅ TAPE MONITOR 2 SW.
1. OFF 2. ON
 - S₆ LOUDNESS SW.
1. OFF 2. ON
 - S₇ BASS CONTROL
-3dB ~ +12dB (at 100Hz)
 - S₈ TREBLE CONTROL
-12dB ~ +9dB (at 10kHz)
 - S₉ LOW FILTER SW.
1. OFF 2. ON
 - S₁₀ HIGH FILTER SW.
1. OFF 2. ON
 - S₁₁ MUTING SW.
1. OFF 2. -20dB
 - S₁₂ PRE & MAIN SW.
1. INTERCOUPLED 2. SEPARATED
 - S₁₃ OUTPUT SELECTOR
1. OFF 2. A 3. B 4. A+B
 - S₁₄ POWER SW.
1. OFF 2. ON
 - S₁₅ RELAY
1. OFF 2. ON

- POTENTIOMETERS**
- VR₁ BALANCE CONTROL
 - VR₂ VOLUME CONTROL

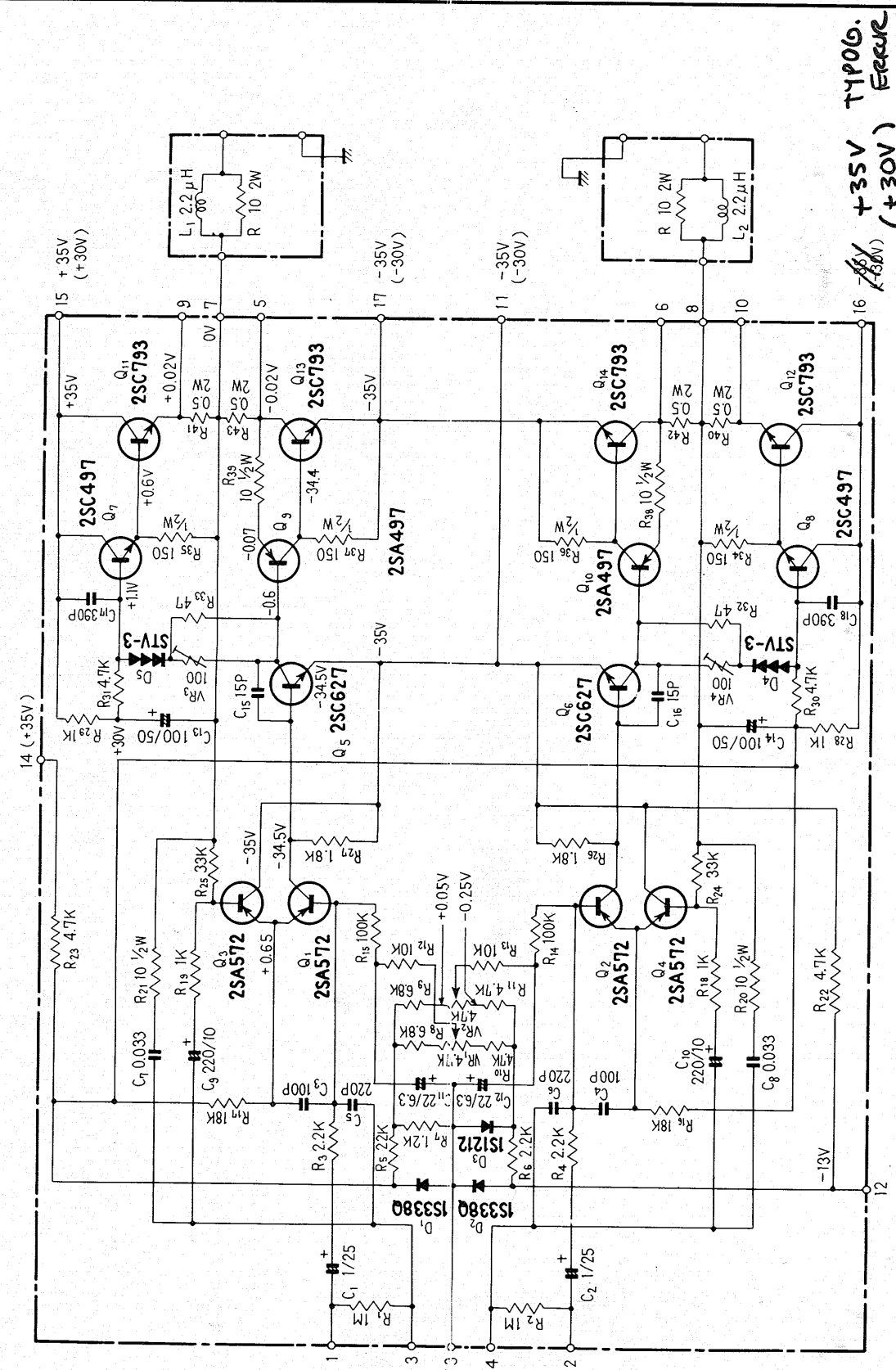
- RESISTORS**
- NON-MARK: OHM
K : KILOHM
M : MEGOHM

- CAPACITORS**
- NON-MARK: μF
P : μμF

⊖ : SIGNAL VOLTAGE AT 41W/8Ω (at 1kHz)
⊖ : DC VOLTAGE AT NO INPUT SIGNAL
⊖ : DC CURRENT AT NO INPUT SIGNAL

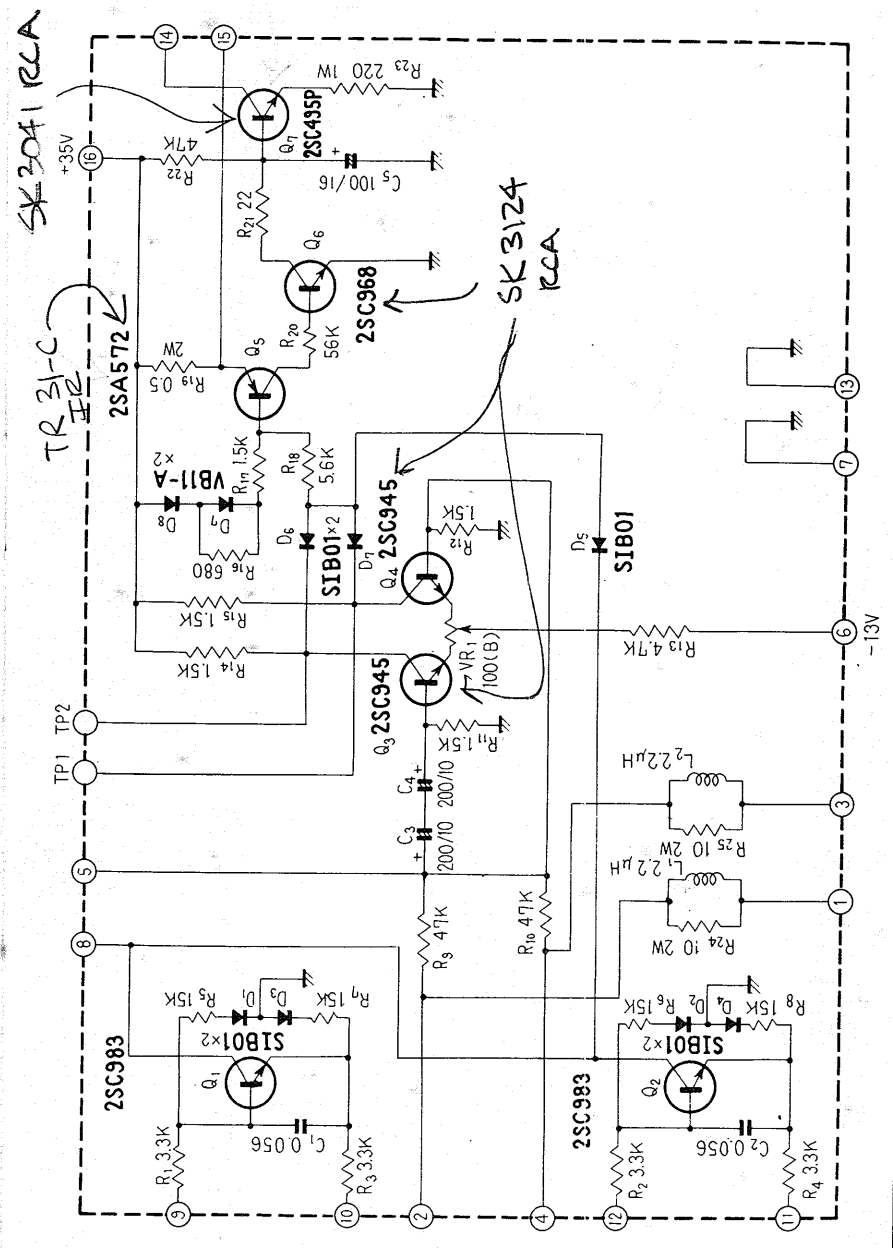


MAIN AMP UNIT
W23 - 009

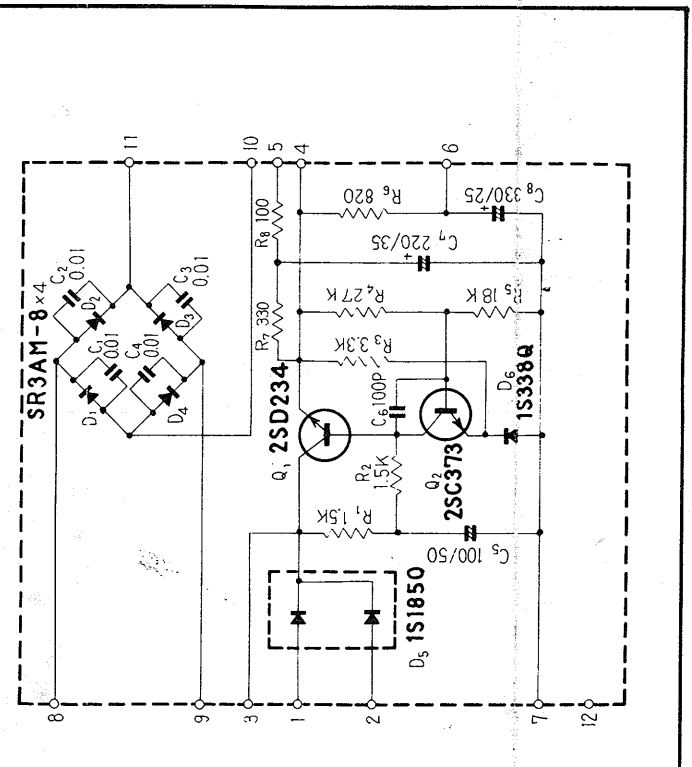


REPLACED
Q3 - Q7
6/15/75

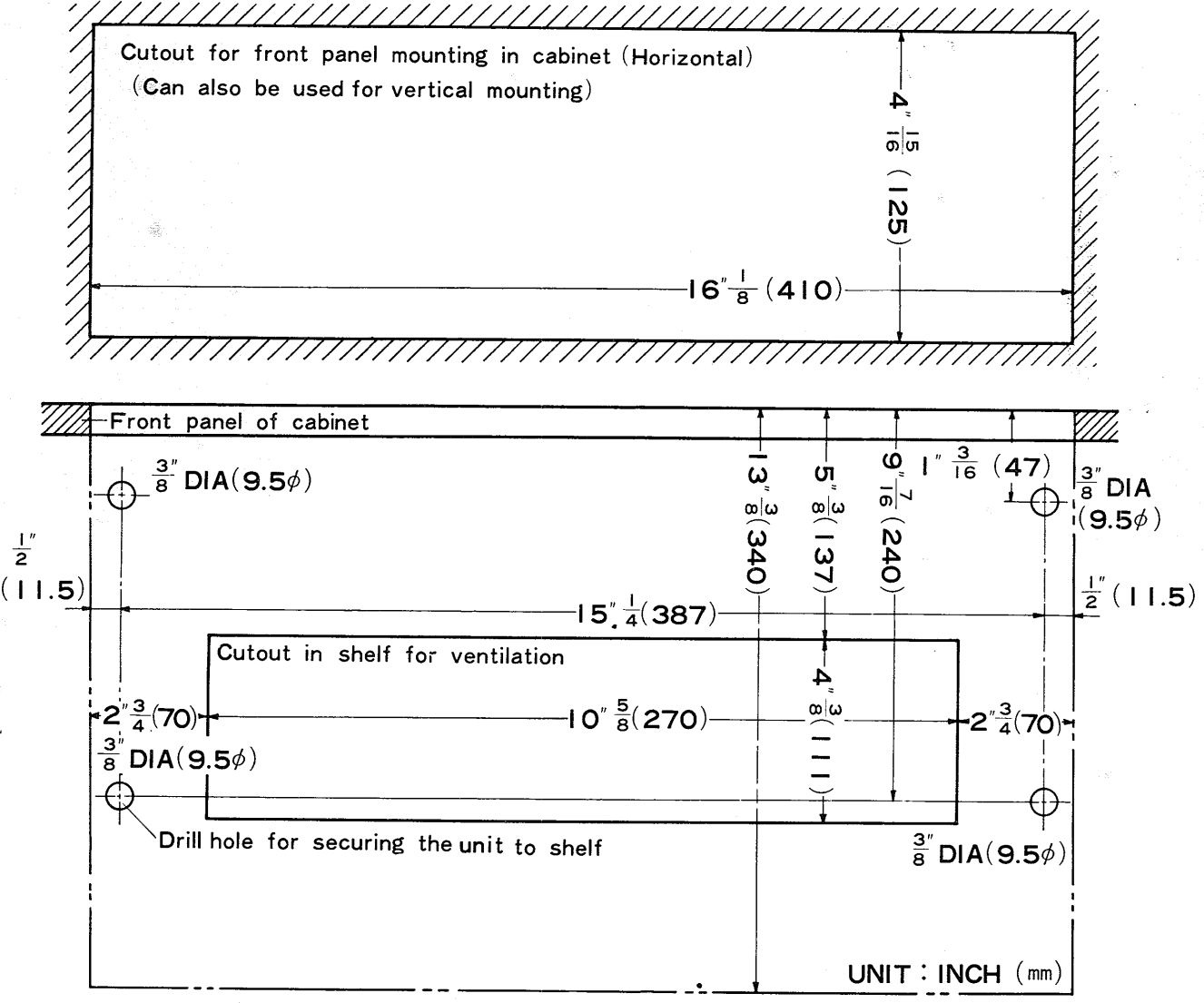
PROTECTOR UNIT
W28 - 007



POWER SUPPLY UNIT
W16 - 033



MOUNTING TEMPLATE



Remove the four feet on the bottom plate of the unit.

The top of the shelf must not be higher than the cutout portion of the cabinet front.

