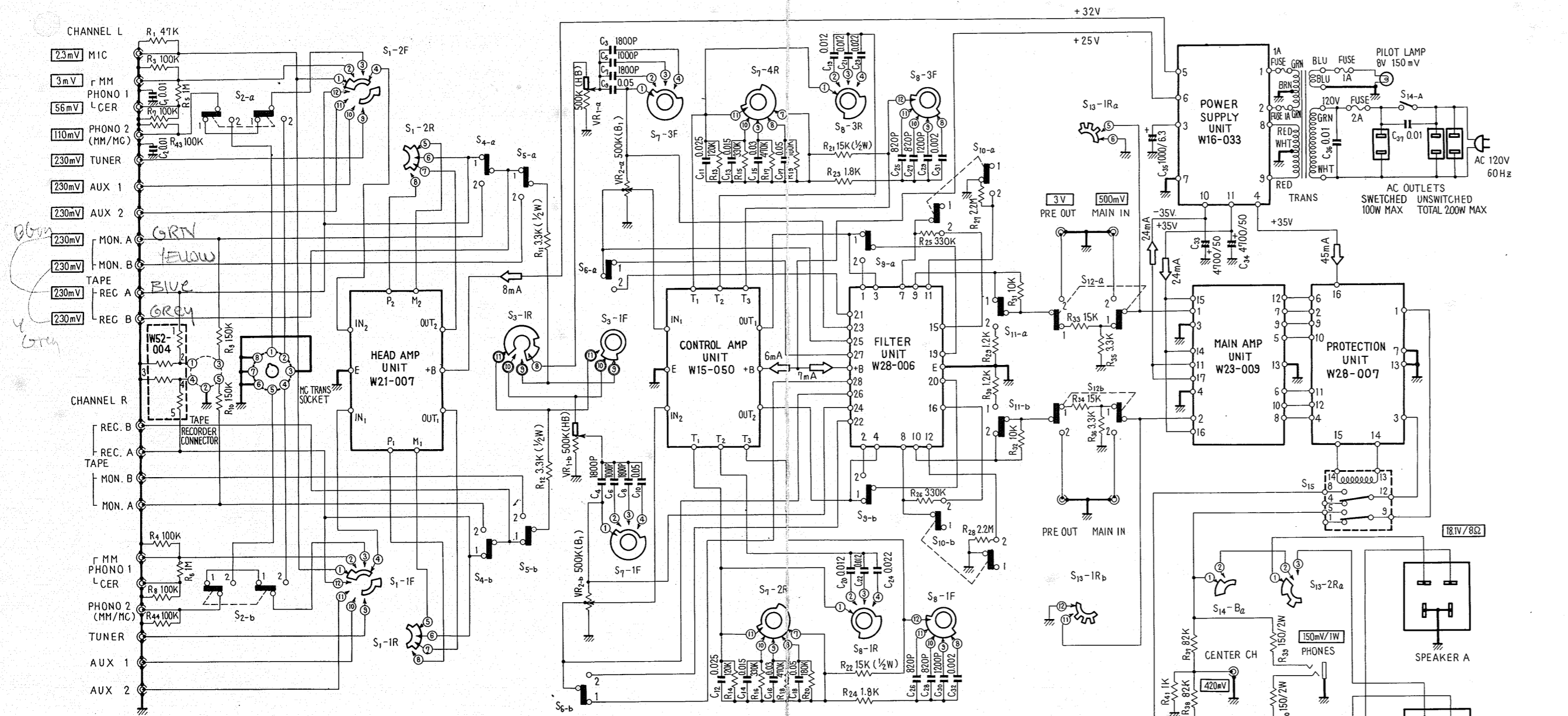


## SA-800



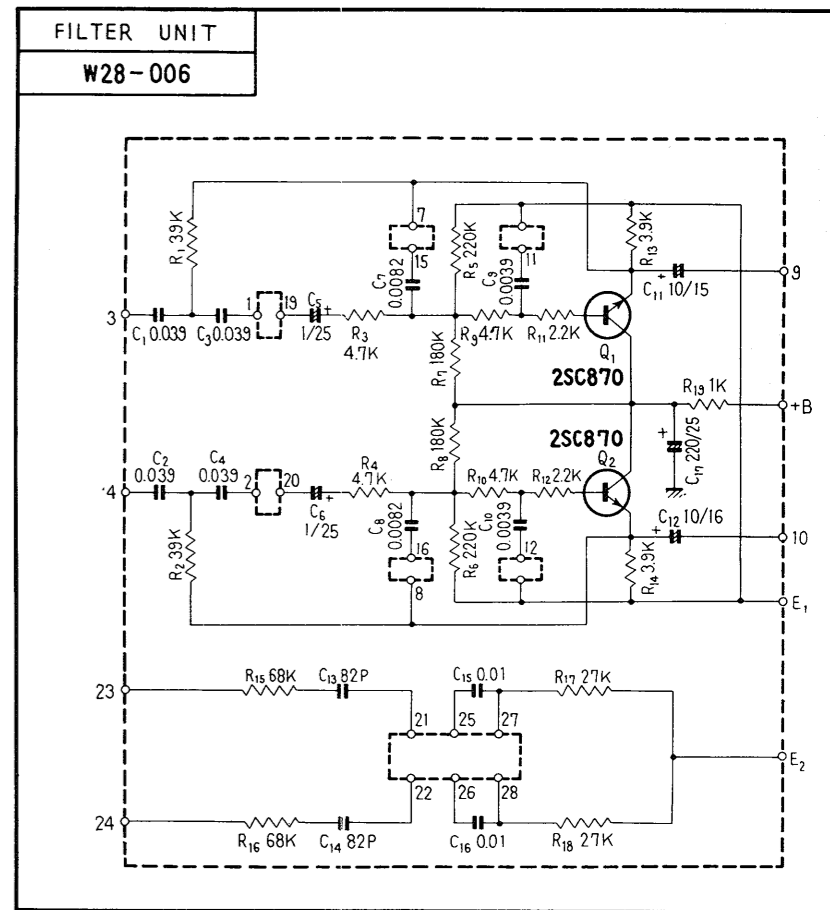
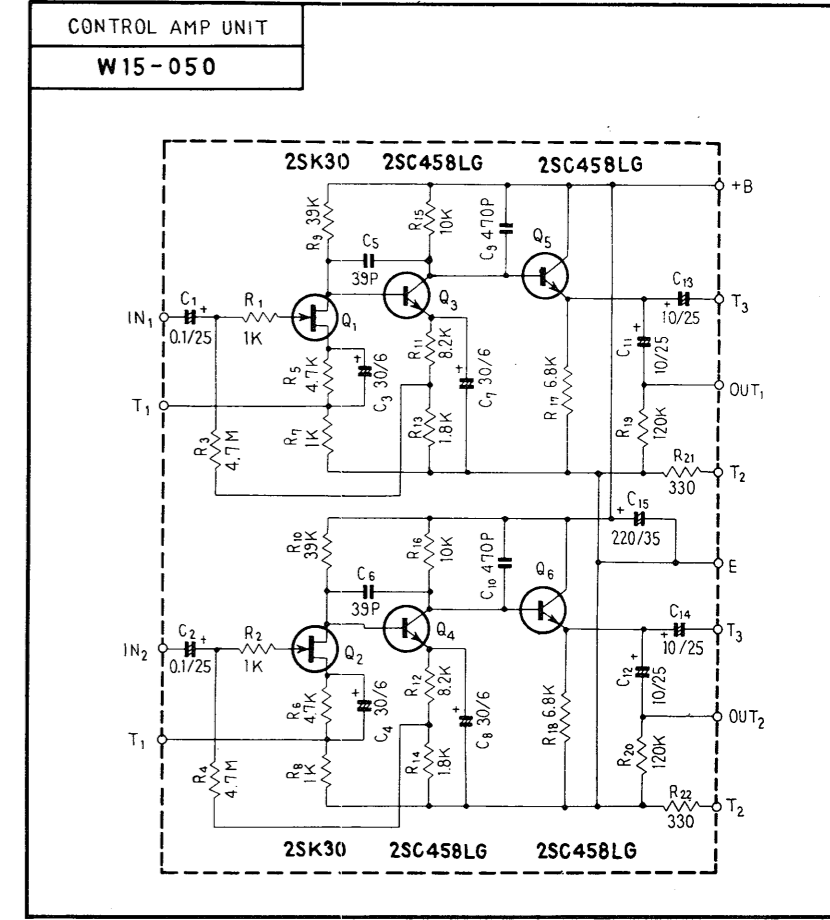
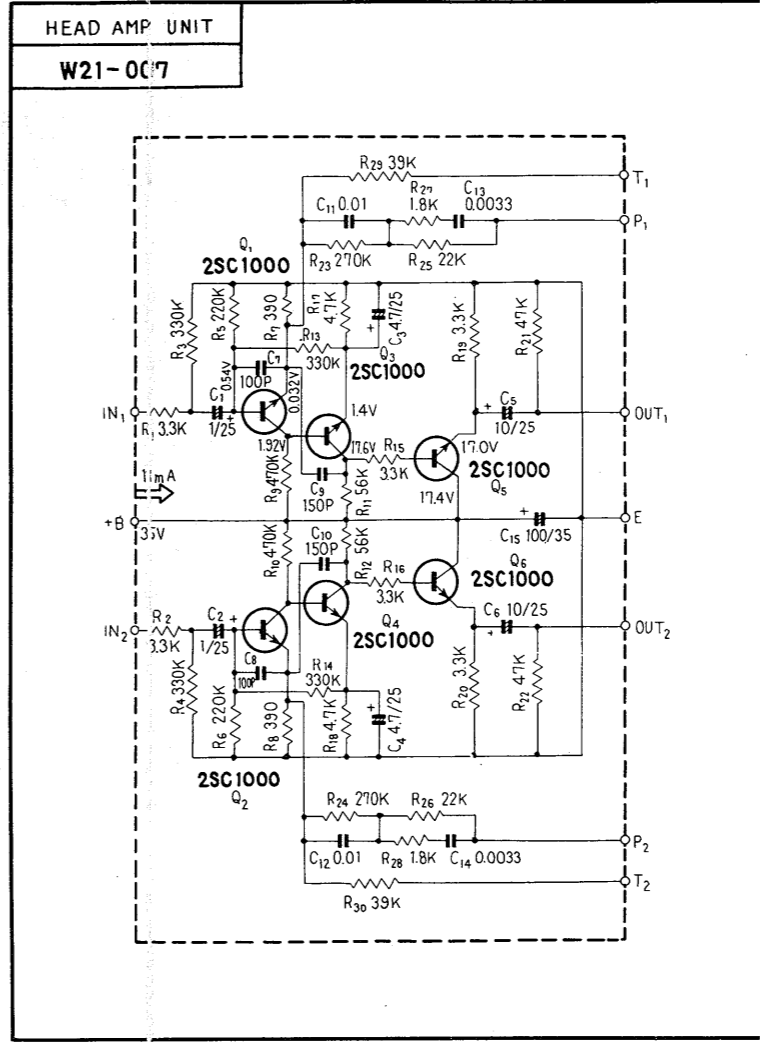
- SWITCHES**
- S<sub>1</sub> INPUT SELECTOR  
1. MIC 2. PHONO 1 3. PHONO 2 4. TUNER 5. AUX 1 6. AUX 2
  - S<sub>2</sub> PHONO 2 SELECTOR  
1. MM 2. MC
  - S<sub>3</sub> MODE SELECTOR  
1. REV 2. NORM 3. L 4. R 5. L+R
  - S<sub>4</sub> TAPE MONITOR 1 SW.  
1. OFF 2. ON
  - S<sub>5</sub> TAPE MONITOR 2 SW.  
1. OFF 2. ON
  - S<sub>6</sub> LOUDNESS SW.  
1. OFF 2. ON
  - S<sub>7</sub> BASS CONTROL  
-3dB ~ +12dB (at 100Hz)
  - S<sub>8</sub> TREBLE CONTROL  
-12dB ~ +3dB (at 10kHz)
  - S<sub>9</sub> LOW FILTER SW.  
1. OFF 2. ON
  - S<sub>10</sub> HIGH FILTER SW.  
1. OFF 2. ON
  - S<sub>11</sub> MUTING SW.  
1. OFF 2. -20dB
  - S<sub>12</sub> PRE & MAIN SW.  
1. INTERCOUPLED 2. SEPARATED
  - S<sub>13</sub> OUTPUT SELECTOR  
1. OFF 2. A 3. B 4. A+B
  - S<sub>14</sub> POWER SW.  
1. OFF 2. ON
  - S<sub>15</sub> RELAY  
1. OFF 2. ON

- POTENTIOMETERS**
- VR<sub>1</sub> BALANCE CONTROL
  - VR<sub>2</sub> VOLUME CONTROL

- RESISTORS**
- NON MARK: OHM
  - K: KILOHM
  - M: MEGOHM

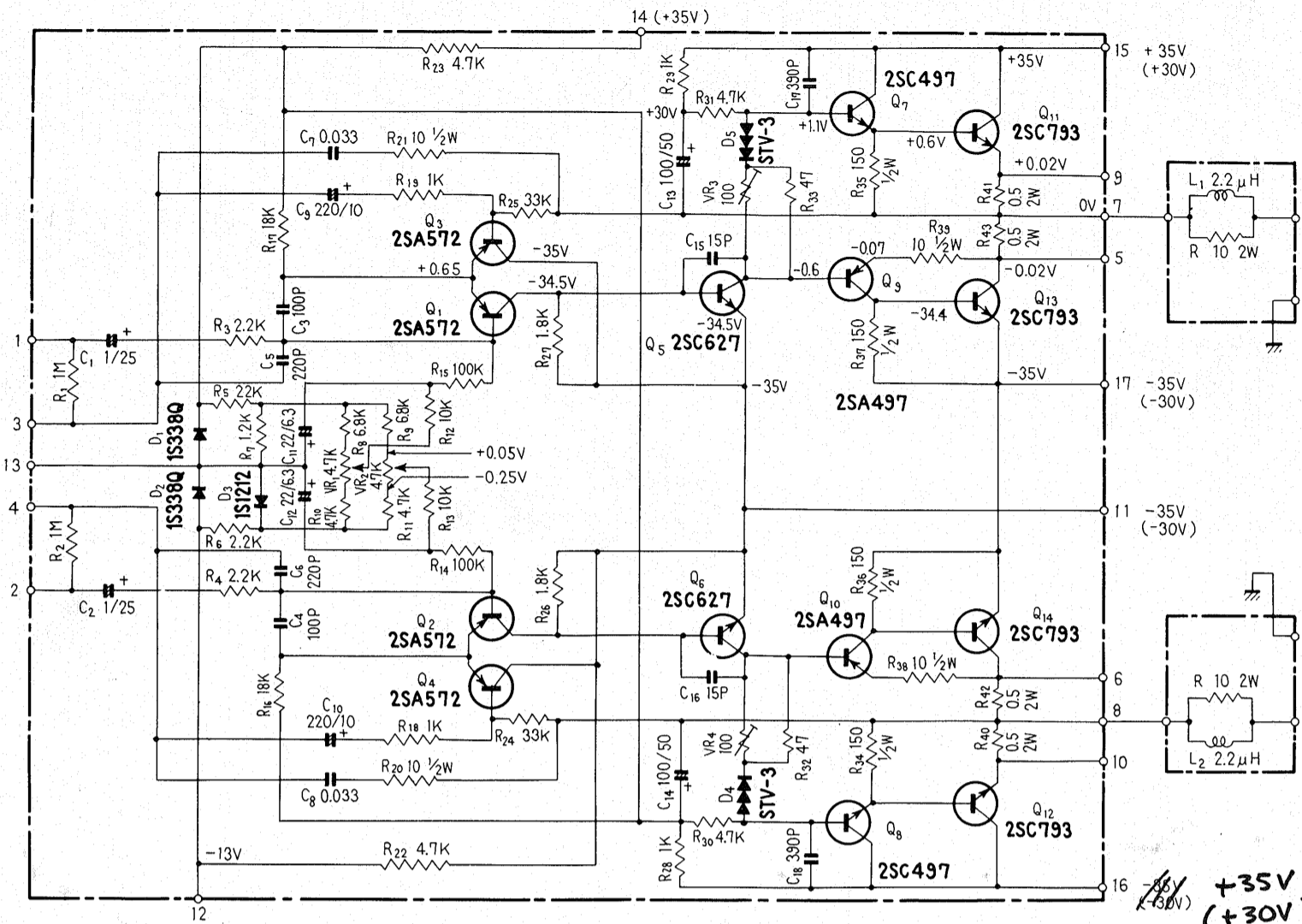
- CAPACITORS**
- NON MARK: μF
  - P: μμF

- : SIGNAL VOLTAGE AT 41W/8Ω (at 1kHz)
- : DC VOLTAGE AT NO INPUT SIGNAL
- : DC CURRENT AT NO INPUT SIGNAL



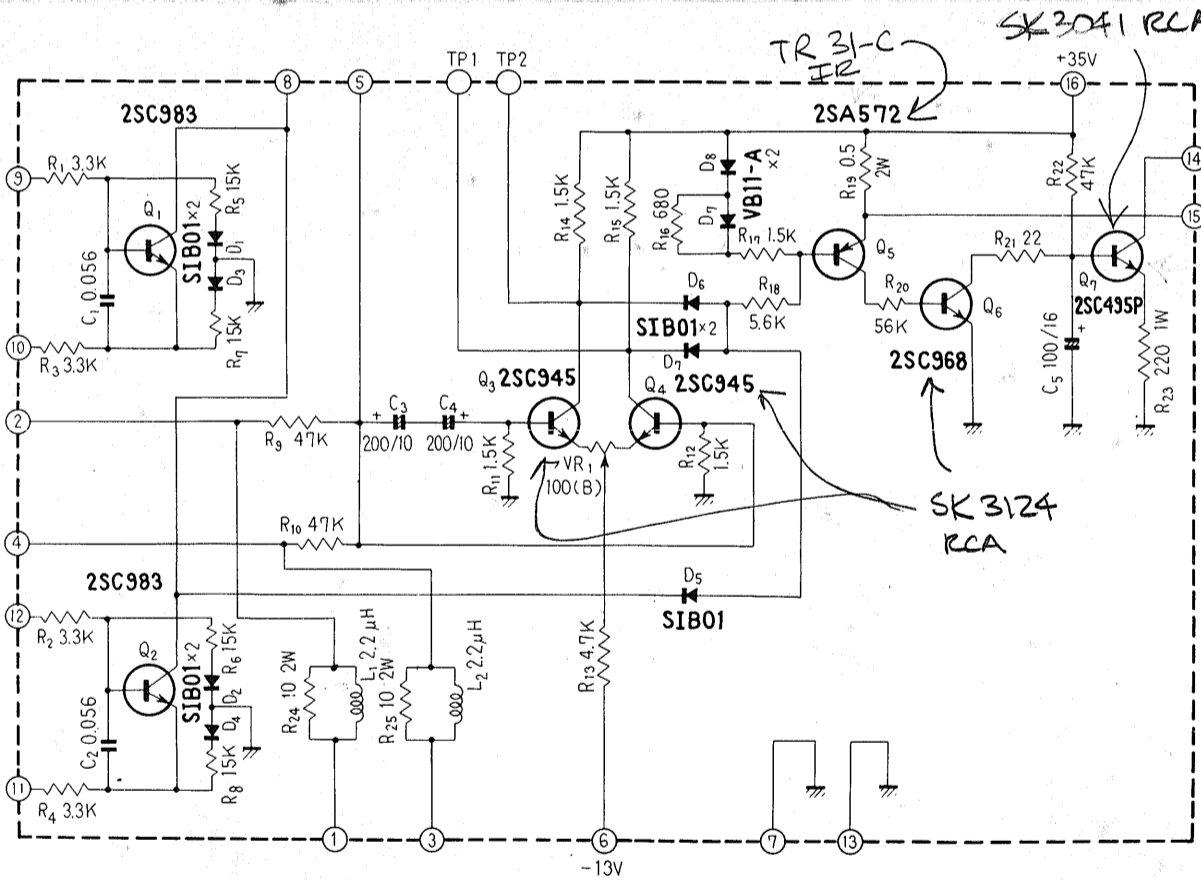
MAIN AMP UNIT

W23 - 009



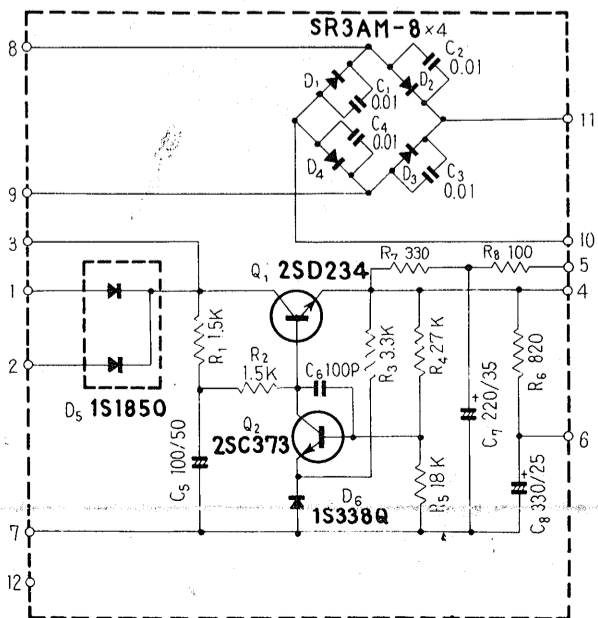
PROTECTOR UNIT

W28 - 007

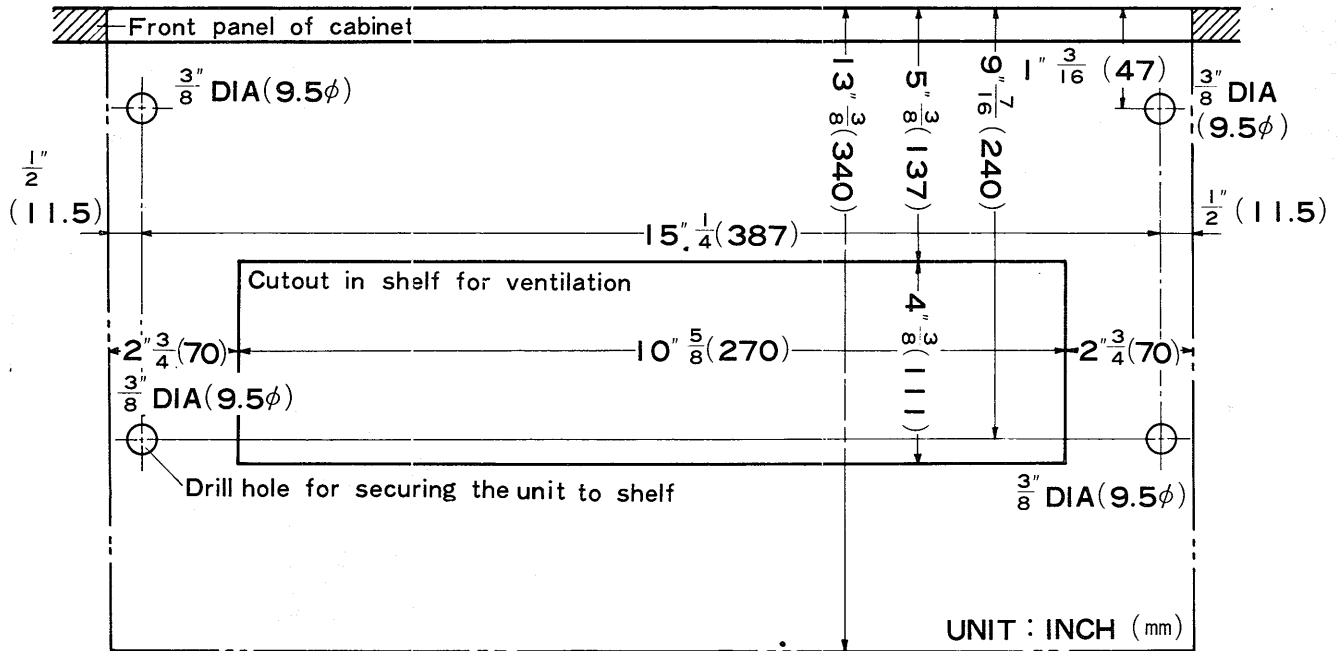
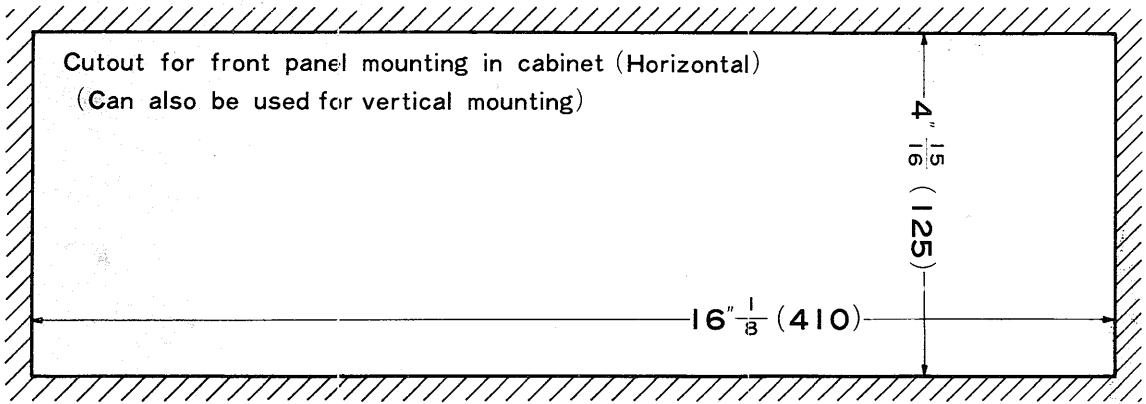


POWER SUPPLY UNIT

W16 - 033



# MOUNTING TEMPLATE



Remove the four feet on the bottom plate of the unit.

