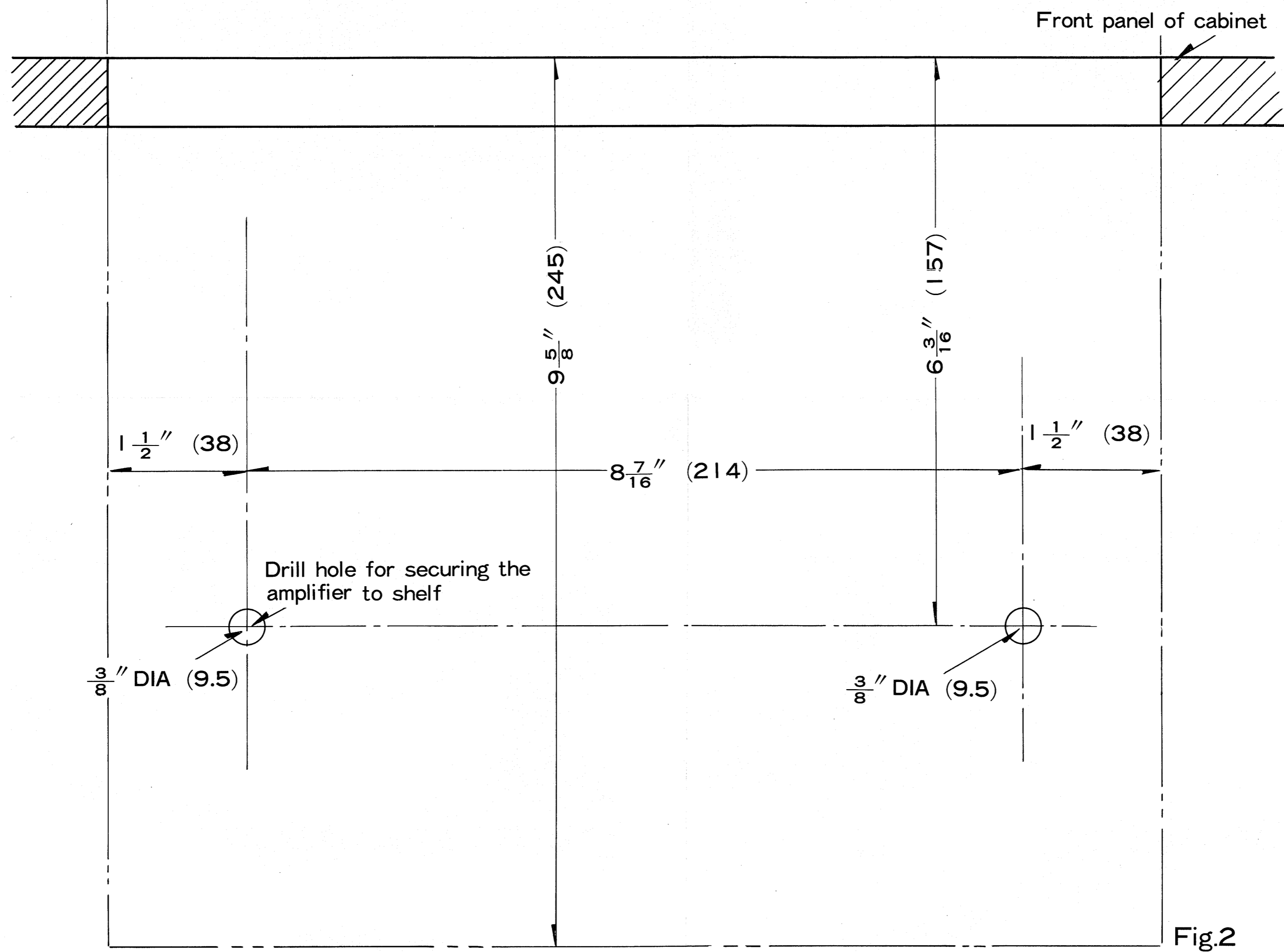
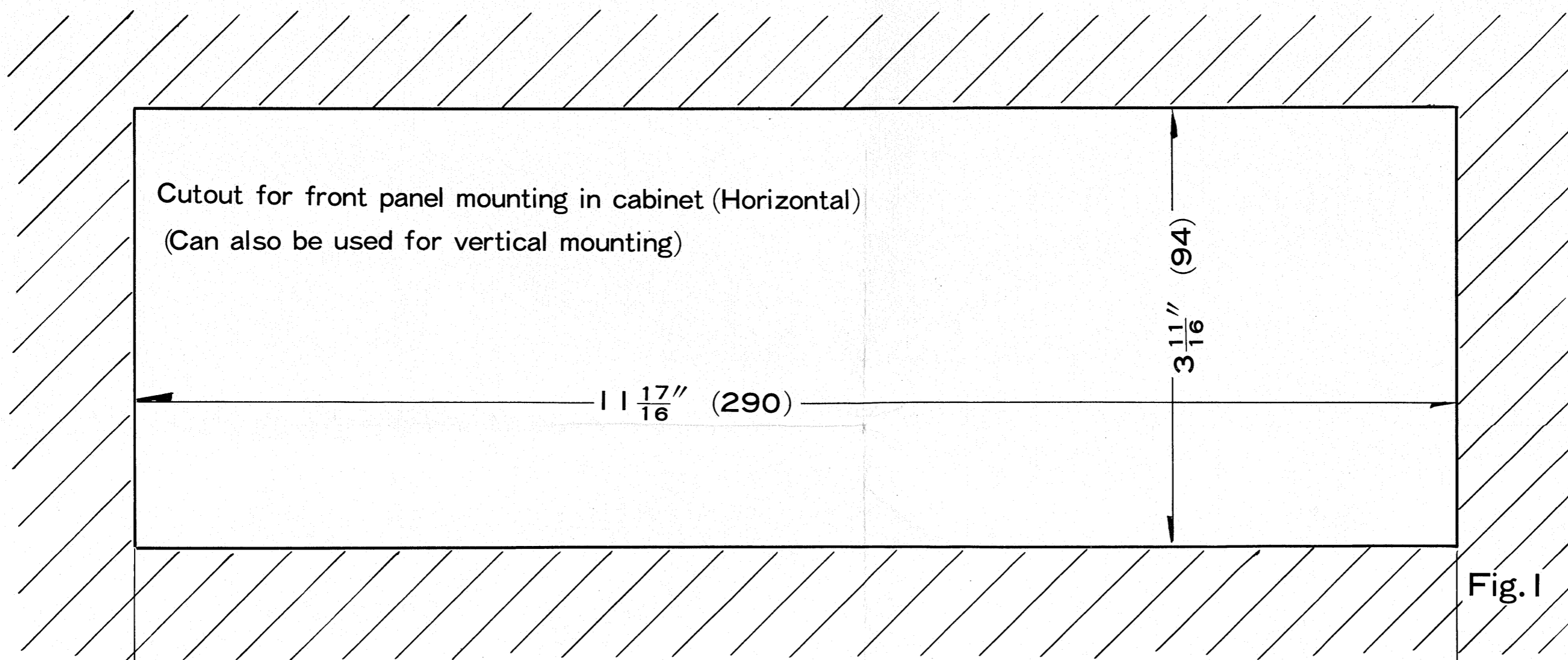
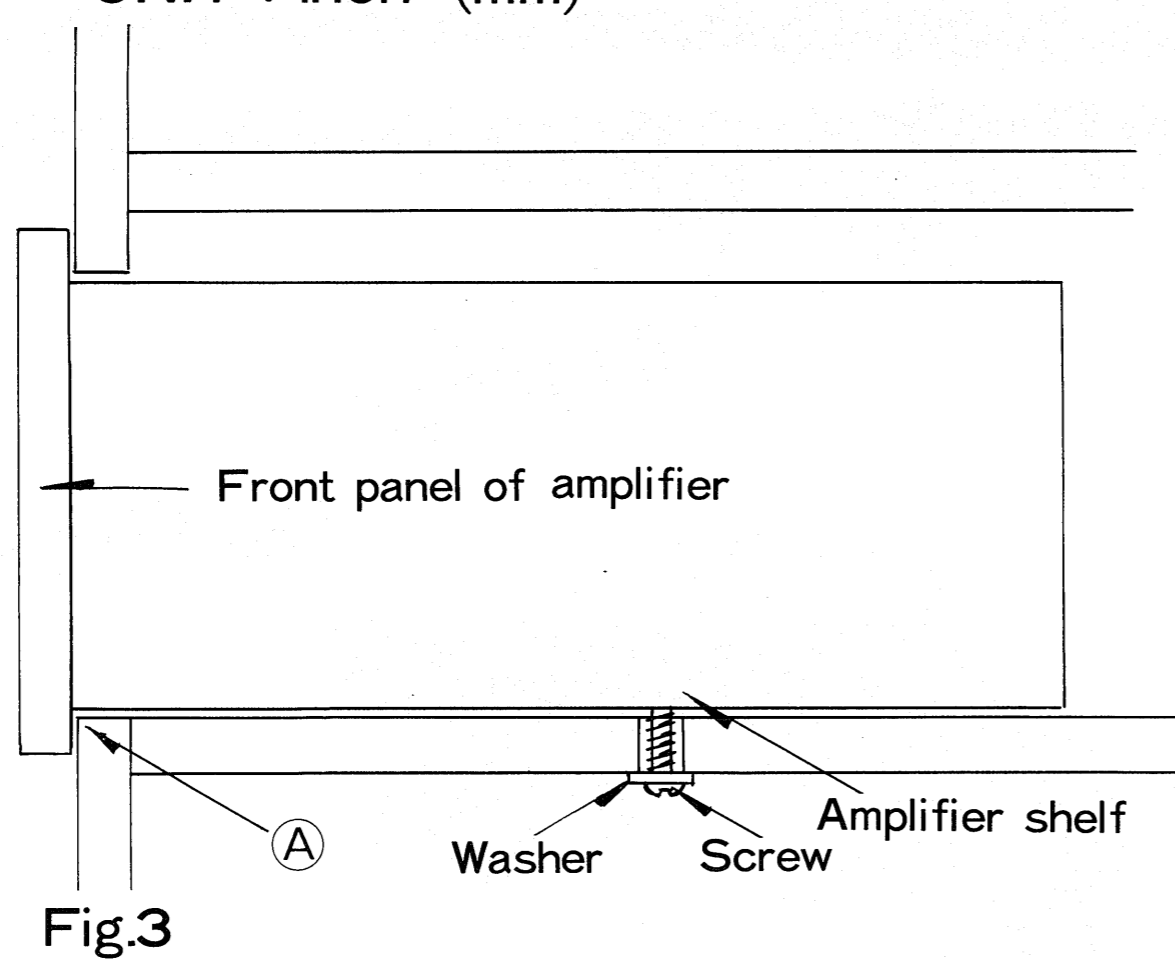


MOUNTING TEMPLATE FOR MODEL SM-700



UNIT : inch (mm)



IMPORTANT INSTRUCTIONS

1. Follow the dimensions as shown. Measure template before using because of possibility of paper shrinkage.
2. Open the front panel of cabinet as shown in Fig. 1.
The top of the amplifier shelf should be higher than the bottom side of the cutout. (See A in fig. 3.)
3. Prepare the amplifier shelf as shown in Fig. 2.
4. Remove the four feet on the bottom plate.
5. Secure the amplifier in position on the amplifier shelf with the screws and washers.

PRINTED IN JAPAN