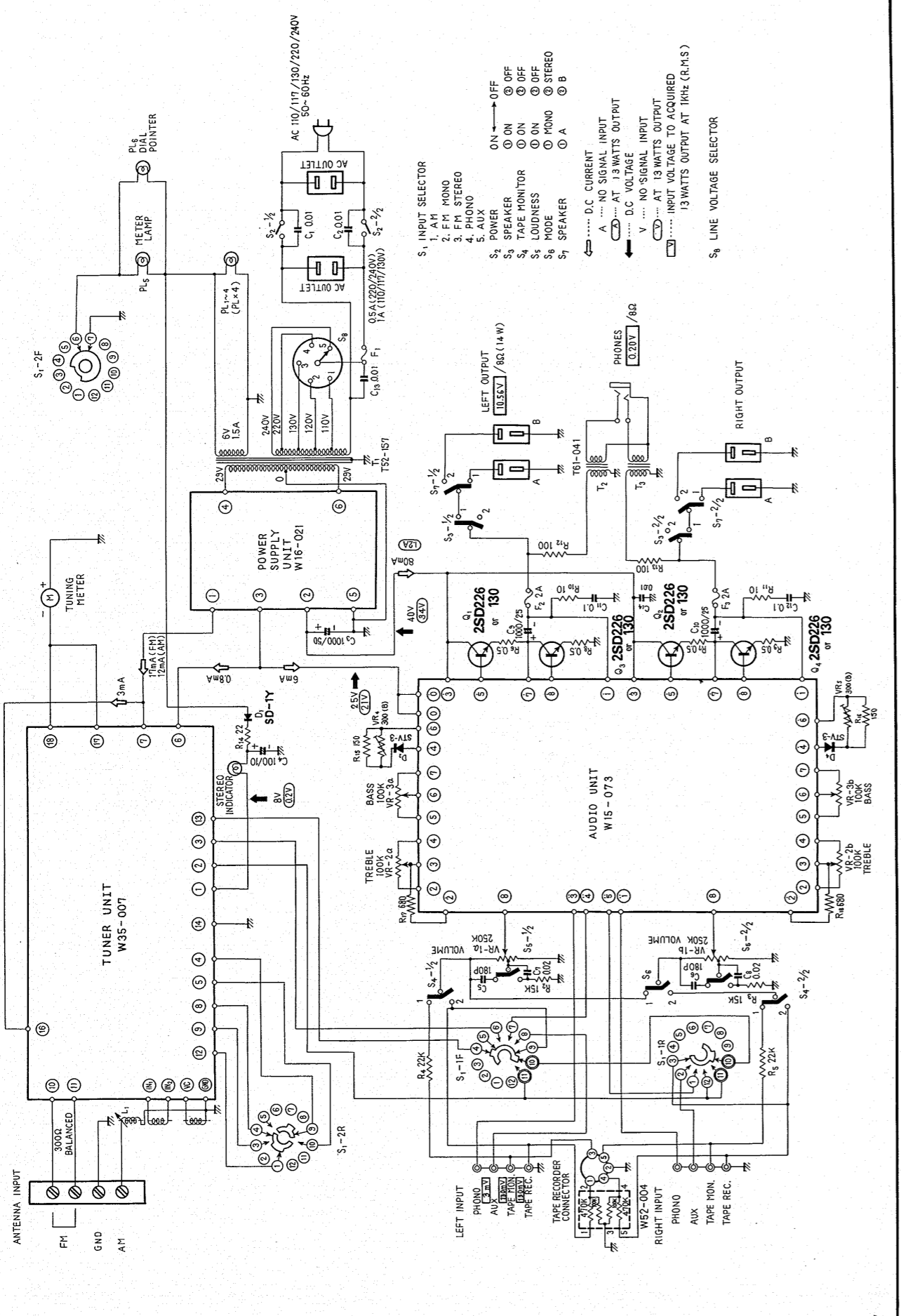


SX-440 Ⓢ-W

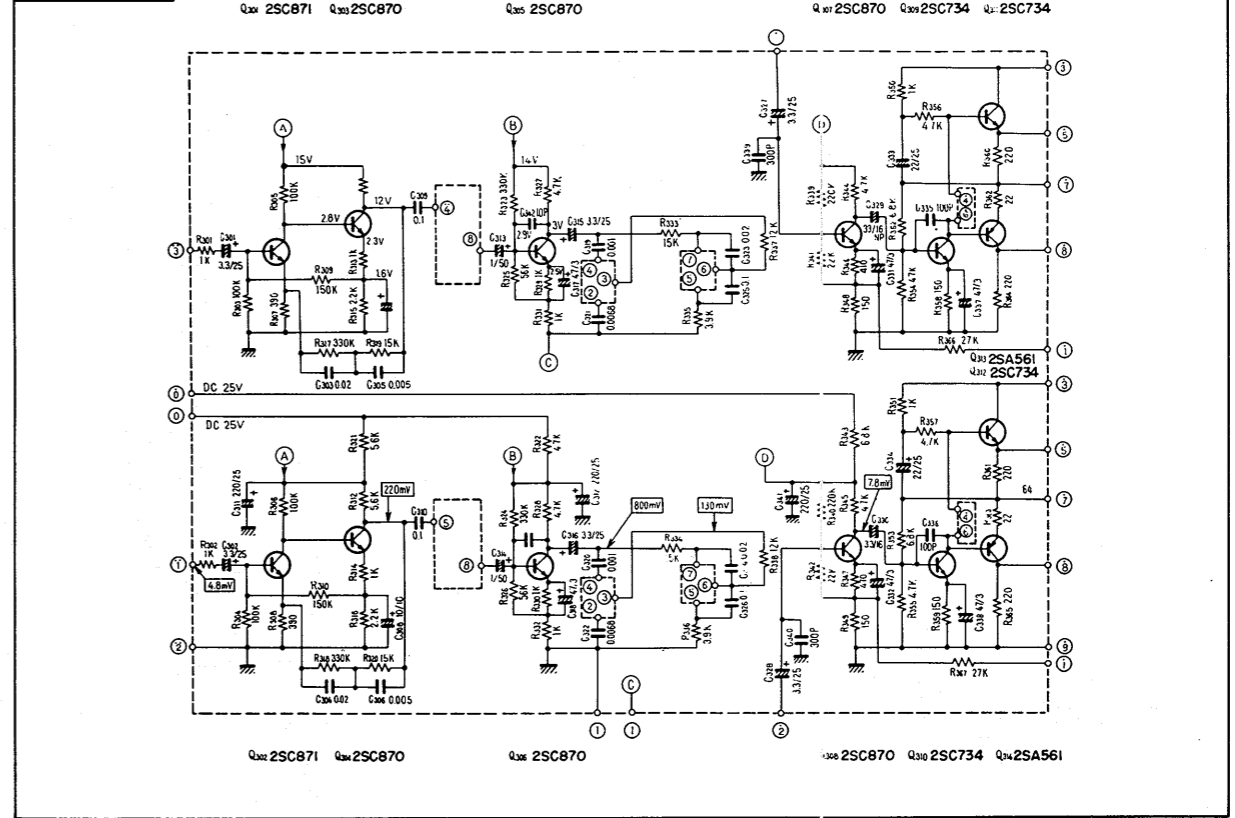


PIONEER®

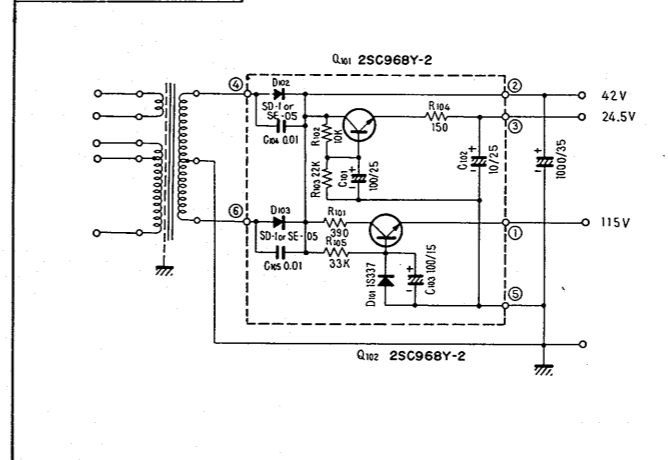
02125



AUDIO UNIT
W15-073



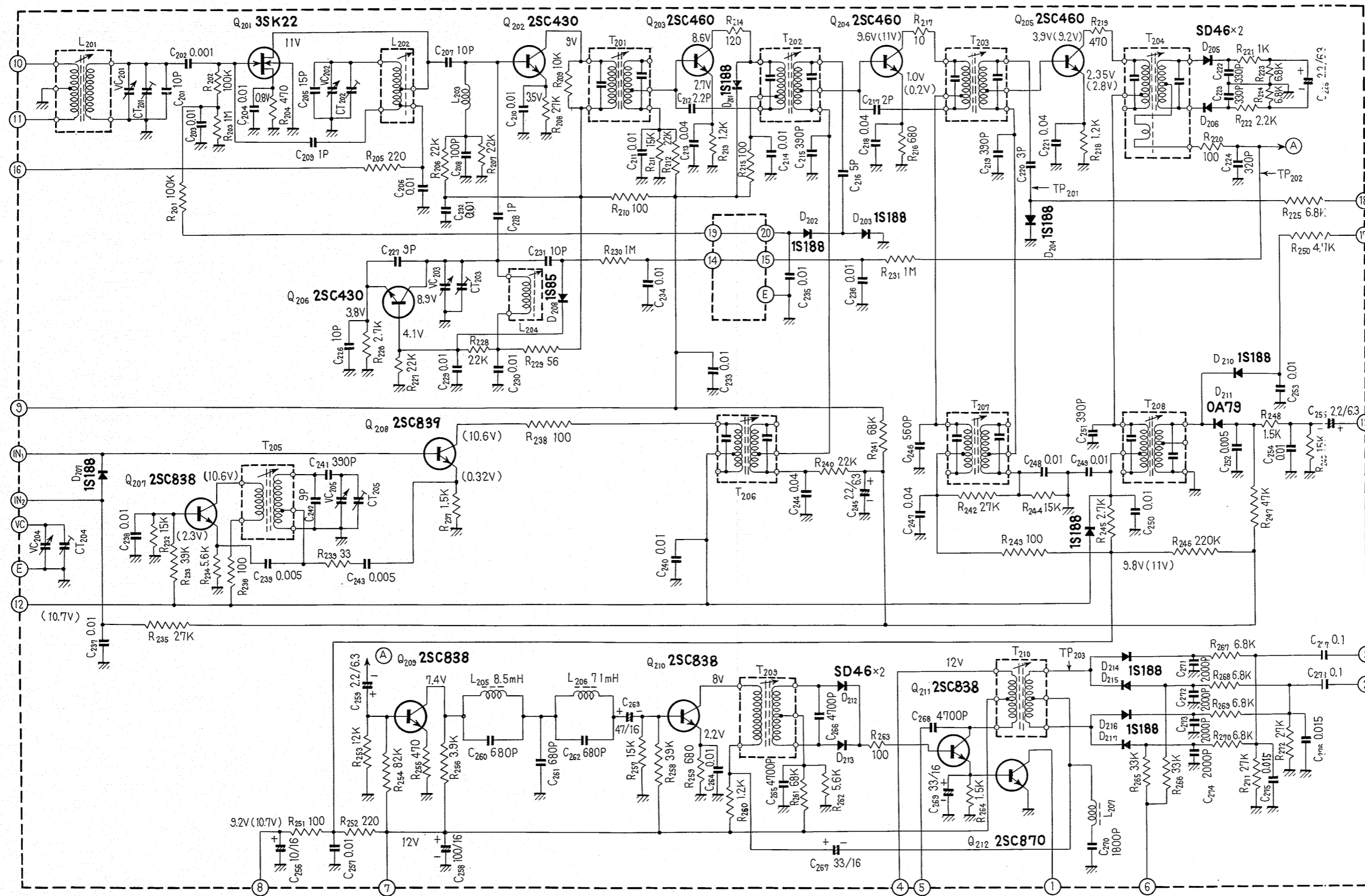
POWER SUPPLY UNIT
W16-021



SCHEMATIC CIRCUIT DIAGRAMS

MODEL.

SX-440 Ⓢ-W



V DC VOLTAGE (FM)
(V) DC VOLTAGE (AM)