

Service Manual

ADDITIONAL INFORMATION

AM/FM STEREO RECEIVER

SX-727 / KUW, FVZW, FW, KCW,

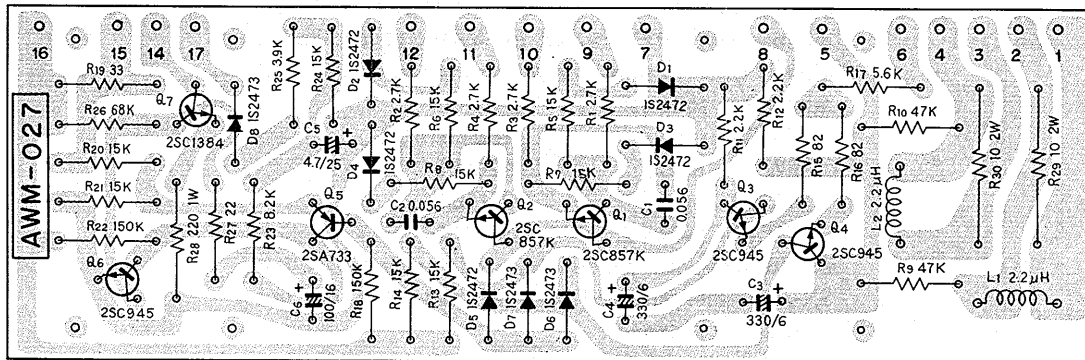
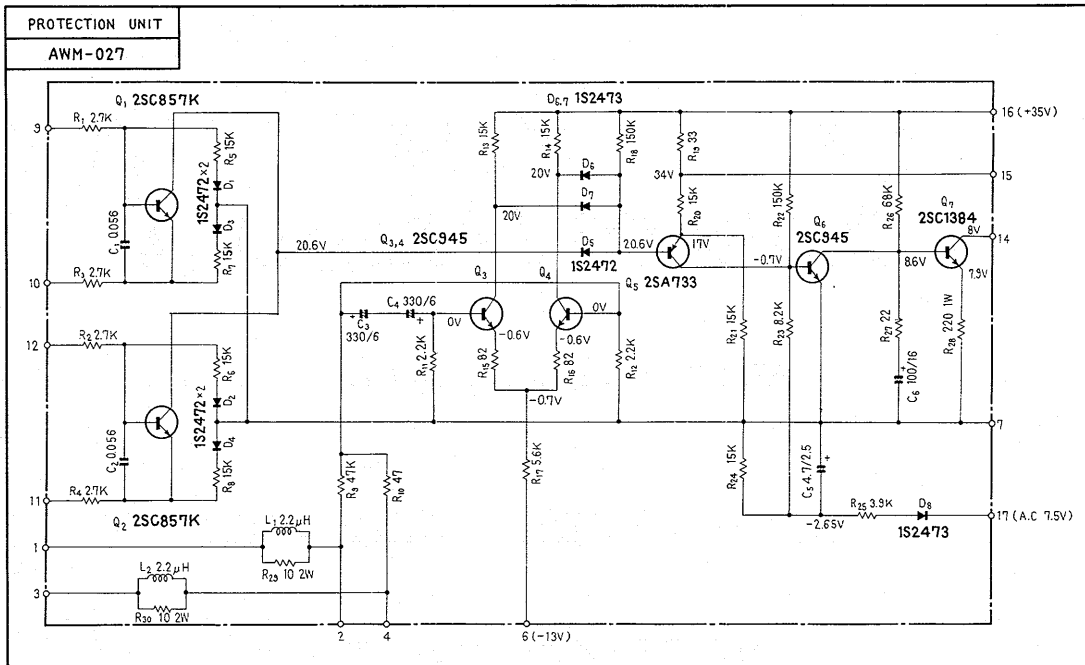
Please note that the SX-727 PROTECTOR UNIT number AWM-027 instead of AWM-011 applies to models (four versions) starting at the respective Serial numbers as follows:

FVZW	model	1601201
FW	model	1200501
KCW	model	3500201
KUW	model	3814301

Accordingly, semiconductors used for design of the SX-727 were changed such as transistors 55 and diodes 34 in number.

You are requested to make use of this additional information together with the furnished service manual.

10.10 PROTECTION UNIT (AWM-027-0)



PARTS LIST OF PROTECTION UNIT

CAPACITORS

Symbol	Description	Part No.
C1	Mylar 0.056 50V	CQMA 563K 50
C2	Mylar 0.056 50V	CQMA 563K 50
C3	Electrolytic 330 6V	CEA 331P 6
C4	Electrolytic 330 6V	CEA 331P 6
C5	Electrolytic 4.7 25V	CEA 4R7P 25
C6	Electrolytic 100 16V	CEA 101P 16

RESISTORS

Symbol	Description	Part No.
R1	Carbon film 2.7k	RD¼PS 272J
R2	Carbon film 2.7k	RD¼PS 272J
R3	Carbon film 2.7k	RD¼PS 272J
R4	Carbon film 2.7k	RD¼PS 272J
R5	Carbon film 15k	RD¼PS 153J
R6	Carbon film 15k	RD¼PS 153J
R7	Carbon film 15k	RD¼PS 153J
R8	Carbon film 15k	RD¼PS 153J
R9	Carbon film 47k	RD¼PS 473J
R10	Carbon film 47k	RD¼PS 473J
R11	Carbon film 2.2k	RD¼PS 222J
R12	Carbon film 2.2k	RD¼PS 222J
R13	Carbon film 15k	RD¼PS 153J
R14	Carbon film 15k	RD¼PS 153J
R15	Carbon film 82	RD¼PS 820J
R16	Carbon film 82	RD¼PS 820J
R17	Carbon film 5.6k	RD¼PS 562J
R18	Carbon film 150k	RD¼PS 154J
R19	Carbon film 33	RD¼PS 330J
R20	Carbon film 15k	RD¼PS 153J
R21	Carbon film 15k	RD¼PS 153J
R22	Carbon film 150k	RD¼PS 154J
R23	Carbon film 8.2k	RD¼PS 822J
R24	Carbon film 15k	RD¼PS 153J
R25	Carbon film 3.9k	RD¼PS 392J
R26	Carbon film 68k	RD¼PS 683J
R27	Carbon film 22	RD¼PS 220J
R28	Metal oxide 220 1W	RS1P 221J
R29	Metal oxide 10 2W	RS2P 100J
R30	Metal oxide 10 2W	RS2P 100J

SEMICONDUCTORS

Symbol	Description	Part No.	
Q1	2SC857K-A	Transistor	
Q2	2SC857K-A	Transistor	
Q3	2SC945-Q or R	Transistor	
Q4	2SC945-Q or R	Transistor	
Q5	2SA733-Q or R	Transistor	
Q6	2SC945-Q or R	Transistor	
Q7	2SC1384-R or Q	Transistor	
D1	1S2472	Diode	
D2	1S2472	Diode	
D3	1S2472	Diode	
D4	1S2472	Diode	
D5	1S2472	Diode	
D6	1S2473	Diode	
D7	1S2473	Diode	
D8	1S2473	Diode	

COILS

Symbol	Description	Part No.	
L1	AF choke coil	T63-009-A	
L2	AF choke coil	T63-009-A	

PIONEER ELECTRONIC CORPORATION
15-5, 4-Chome, Ohmori-nishi, Ohta-ku, Tokyo, Japan
U.S. PIONEER ELECTRONICS CORPORATION
17B Commerce Road, Carlstadt New Jersey 07072 U.S.A.
PIONEER ELECTRONIC (EUROPE) N.V.
Noorderlaan 83, 2030 Antwerp, Belgium

COPYRIGHT © AUG. 1972 PRINTED IN JAPAN