



## CORRECTION OF SERVICE MANUAL

Date: Dec.24,2004 No.: SCH04020 (1/3)

MODEL No.	S/M No.	PG	MODEL No.	S/M No.	PG
See below					

**Please correct your service manual**

MODEL No.	S/M No.	PG	MODEL No.	S/M No.	PG
XV-DV313/MYXJN	RRV2772	118	XV-DV222/MYXJN	RRV2886	-
XV-DV313/NVXJN	RRV2772	118	XV-DV222/NVXJN	RRV2886	-
XV-DV313/MXJN/HK	RRV2820	-			
XV-DV313/MLXJN/NC	RRV2820	-	XV-DV424/MYXJ	RRV2906	103
XV-DV313/YLXJ/NC	RRV2820	-	XV-DV424/NVXJ	RRV2906	103
XV-DV313/YPWXJN	RRV2820	-	XV-DV424/LFXJ	RRV2948	-
XV-DV313/LFXJN	RRV2820	-	XV-DV424/MLXJ/NC	RRV2948	-
XV-DV313/NTXJN	RRV2830	-	XV-DV424/YLXJ/NC	RRV2948	-
XV-DV313/NKXJN	RRV2830	-	XV-DV424/YPWXJ	RRV2975	-
XV-DV313/MAXJ	RRV2830	-	XV-DV424/MAXJ	RRV2975	-
			XV-DV424/NTXJN	RRV2975	-
XV-DV515/MYXJ	RRV2772	118			
XV-DV515/NVXJ	RRV2772	118	XV-DV525/MYXJ	RRV2906	103
XV-DV515/YPWXJ	RRV2813	-	XV-DV525/NVXJ	RRV2906	103
XV-DV515/LFXJ	RRV2813	-	XV-DV525/LFXJ	RRV2949	-
XV-DV515/MLXJ/NC	RRV2813	-	XV-DV525/MLXJ/NC	RRV2949	-
XV-DV515/YLXJ/NC	RRV2813	-	XV-DV525/YLXJ/NC	RRV2949	-
XV-DV515/NTXJN	RRV2813	-	XV-DV525/YPWXJ	RRV2976	-
			XV-DV525/MAXJ	RRV2976	-
XV-DV515TA/MAXJ	RRV2837	-	XV-DV525/NTXJN	RRV2976	-
XV-DV430/KUCXJN	RRV2837	-	XV-DV740/KUCXJ	RRV2946	102
XV-DV323/MYXJ	RRV2906	103	XV-DV440/KCXJ	RRV2946	102
XV-DV323/NVXJ	RRV2906	103			
XV-DV323/LFXJ	RRV2947	-			
XV-DV323/MLXJ/NC	RRV2947	-			
XV-DV323/YLXJ/NC	RRV2947	-			
XV-DV323/YPWXJ	RRV2974	-			
XV-DV323/MAXJ	RRV2974	-			
XV-DV323/NTXJN	RRV2974	-			
XV-DV323/KDXJ	RRV2974	-			
XV-DV323/MDXJ/RB	RRV2974	-			
XV-DV323/MXJ/HK	RRV2974	-			
XV-DV323/NRXJ	RRV2974	-			

PIONEER SERVICE NETWORK CORPORATION

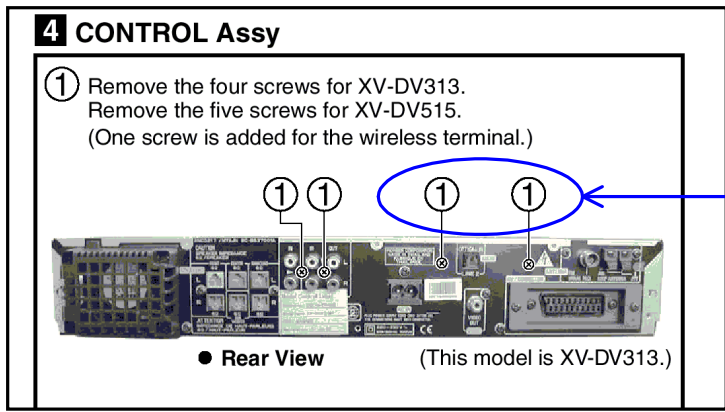
Memo: SMC05H019 62,NM

K.NOHARA ,MANAGER  
HE

Technical Support Group  
Service Support Division

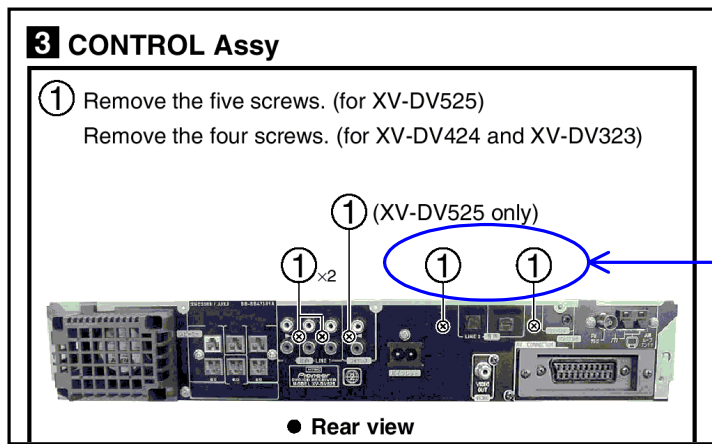
#1) Please add the following contents.

Refer to RRV2772 page:118

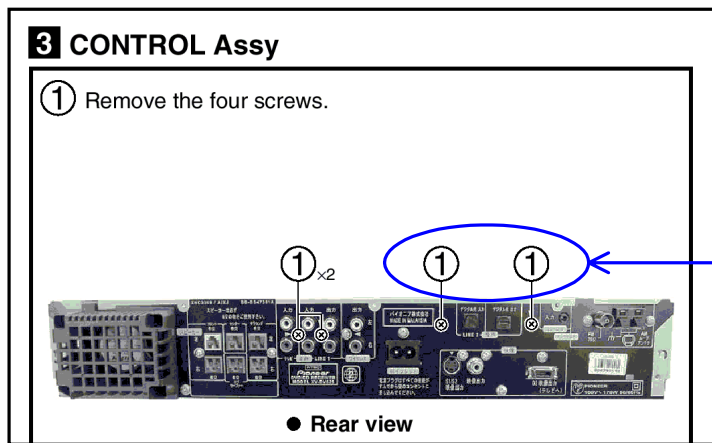


Make sure to tighten the 2 screws when assemble the unit because the DSP assy on the CONTROL assy gets the GND from the rear panel.

Refer to RRV2906 page:103



Refer to RRV2946 page:102



#2) Please replace A and A' by B.

Refer to RRV2772 page 119.

**A**

Note :  
~~If the Power is turned On when the DSP Holder (DSP GND) is not connected to the rear panel (chassis), the parts below may be destroyed at the DSP ASSY.~~

IC8702 : TC74VHCT244AFT  
IC8401 : AK4529VQ  
R8415 : 4.7Ω

If the above parts are destroyed, the audio signal can not be out.

Refer to RRV2906 page 104 and RRV2946 page 103.

**A'**

⑦ Connect the two jig cables.  
⑧ Connect a lead wire (for ground) between the DSP holder (on the DSP Assy) and rear panel (chassis).

**Caution :**  
~~If the lead wire is not connected and the power is turned on, following parts on the DSP Assy may be damaged.~~

IC8702 : TC74VHCT244AFT  
IC8401 : AK4529VQ  
R8415 : 4.7Ω

If the above parts are damaged, the audio signal can not be output.

**B**

If the Power is turned On when the DSP Holder (DSP GND) is not connected to the rear panel (chassis), the protection, "PRTCT ERR" works blinking the TIMER LED on the FL display and the parts below may be destroyed at the DSP ASSY.  
Release the protection detection entering the "Service Test Mode".  
See the "PROTECTION CIRCUIT" tips to enter it.