



SERVICE INFORMATION

Date: July 13, 2005

No.: SPH05015

(1/4)

MODEL No.

*

SER.No.

S/M No.

PG

See to following page

DETAIL	#	CHANGE
		Change and add parts in JACB ASSY.

REASON	For improvement of VIDEO circuit.
---------------	-----------------------------------

R520, R521, R522 :	old) RS1/16S75R0F -- > new) RS1/16S0R0J
R541, R542, R543	: RS1/16S75R0F <--add
R181	: RS1/16S103J <-- add

Note:

Depending on the model, part number of JACB ASSY is different.
See next page for the information.

Ref	#	CURRENT	PARTS	CO	NEW	PARTS
*		SYMBOL/DESCRIPTION	PART NUMBER	DE	PART NUMBER	SYMBOL/DESCRIPTION
A-F		R520, R521, R522	RS1/16S75R0F	2	RS1/16S0R0J	R520,R521,R522
A-F			Add	-	RS1/16S75R0F	R541,R542,R543
A-F			Add	-	RS1/16S103J	R181

PIONEER	SERVICE NETWORK	CORPORATION			
K.NOHARA	,MANAGER		<i>NOTE:PARTS CODE</i>	Memo:	SPC60-086 NM,62
HE			1:Changeable from old to new.		TB-39775
Technical	Support Group		2:Not Interchangeable an all.	Classify:	
Service	Support Division		3:Interchangeable in both ways		
			5:Do not use old parts		

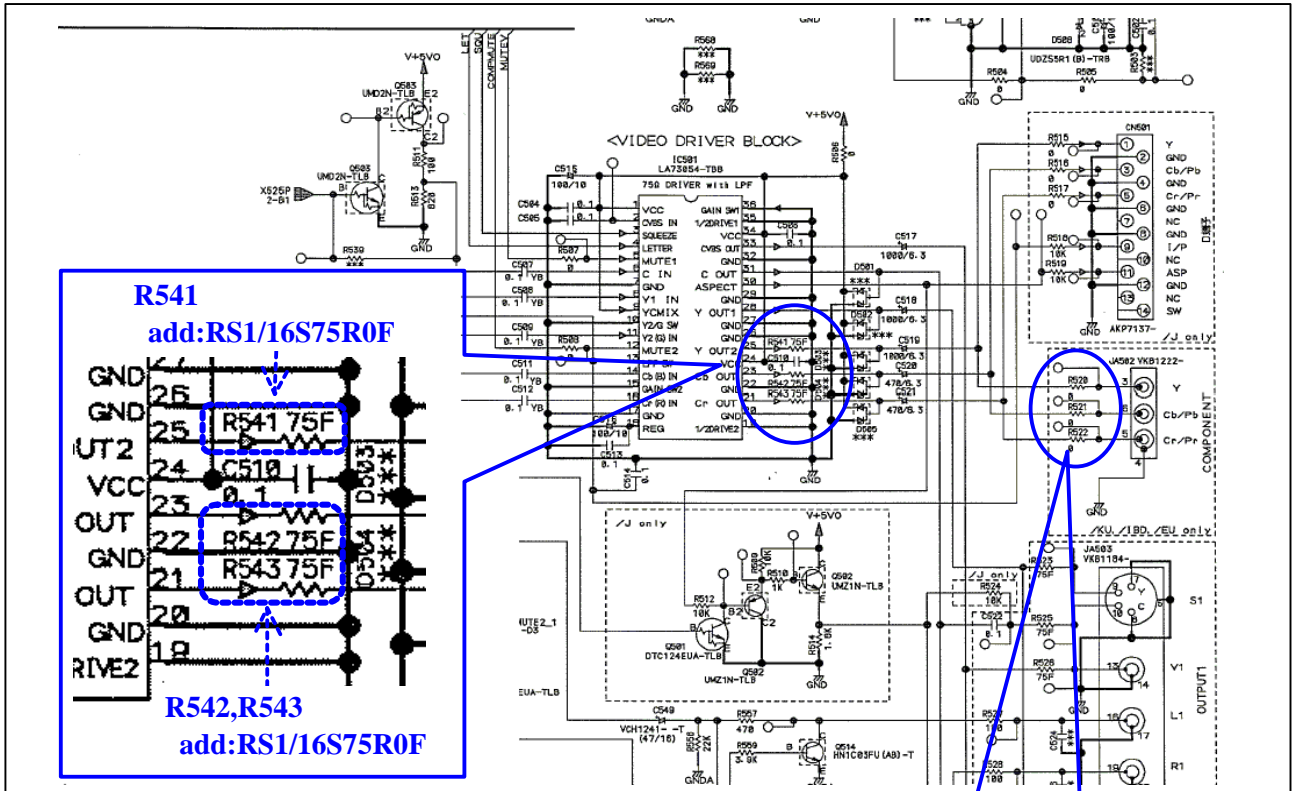
MODEL No.	*	SER.No.	S/M No.	PG
DVR-533H-S/KCXV	A	R/C	RRV3173	22,25
DVR-533H-S/KUXV	A	R/C	RRV3173	22,25
DVR-633H-S/KUXV/CA	A	R/C	RRV3173	22,25
DVR-531H-S/KCXV	B	R/C	RRV3173	22,25
DVR-531H-S/KUXV/CA	B	R/C	RRV3173	22,25
DVR-433H-K/WYXV	C	R/C	RRV3167	8,11
DVR-433H-K/WYXV/RE	C	R/C	RRV3167	8,11
DVR-433H-S/WVXV	C	R/C	RRV3167	8,11
DVR-433H-S/WYXV	C	R/C	RRV3167	8,11
DVR-433H-S/WYXV/RE	C	R/C	RRV3167	8,11
DVR-530H-AV/WVXV	D	R/C	RRV3149	22,25
DVR-530H-AV/WYXV	D	R/C	RRV3149	22,25
DVR-530H-S/WVXV	D	R/C	RRV3149	22,25
DVR-530H-S/WYXV	D	R/C	RRV3149	22,25
DVR-630H-S/WVXV	D	R/C	RRV3149	22,25
DVR-630H-S/WYXV	D	R/C	RRV3149	22,25
DVR-530H-S/RLTXV	E	R/C	RRV3182	22,25
DVR-530H-S/YPWXV	E	R/C	RRV3182	22,25
DVR-630H-S/RLTXV	E	R/C	RRV3182	22,25
DVR-630H-S/YPWXV	E	R/C	RRV3182	22,25
DVR-330-S/RLTXV	F	R/C	RRV3148	22,25
DVR-330-S/YPWXV	F	R/C	RRV3192	-

Note: part number of JACB ASSY

A: VWV2111
B: VWV2112
C: VWV2114
D: VWV2115
E: VWV2117
F: VWV2122

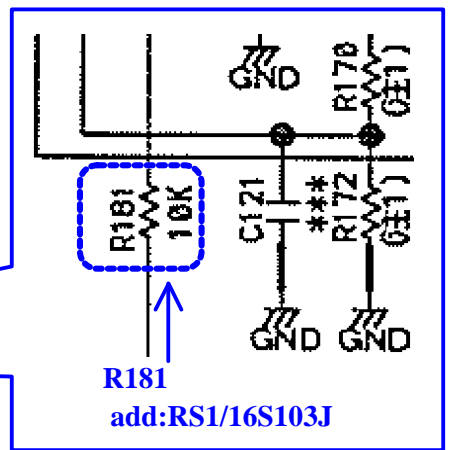
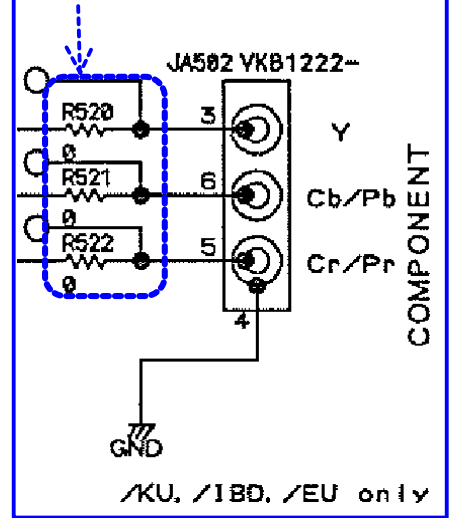
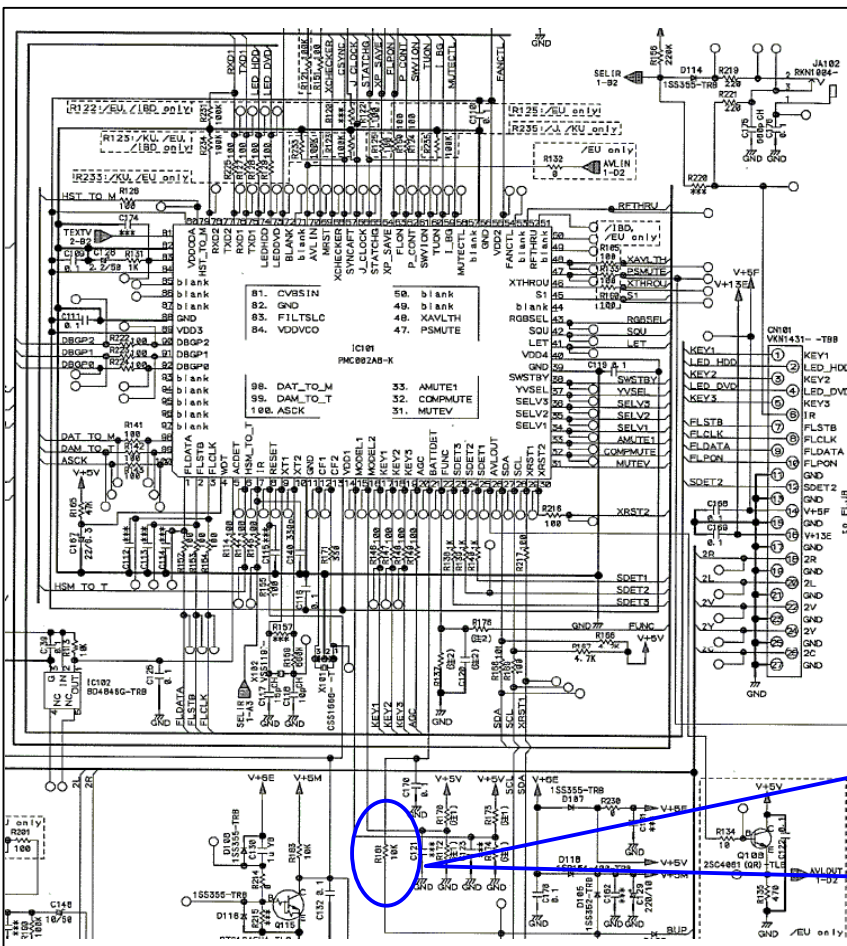
JACB ASSY: SCHEMATIC DIAGRAM

Refer to: RRV3173 page25 loc.B-7&8 RRV3167 page 11 loc.C-7&8 RRV3149 page 25 loc.C-7&8
RRV3182 page 25 loc.C-7&8 RRV3148 page 25 loc.C-7&8

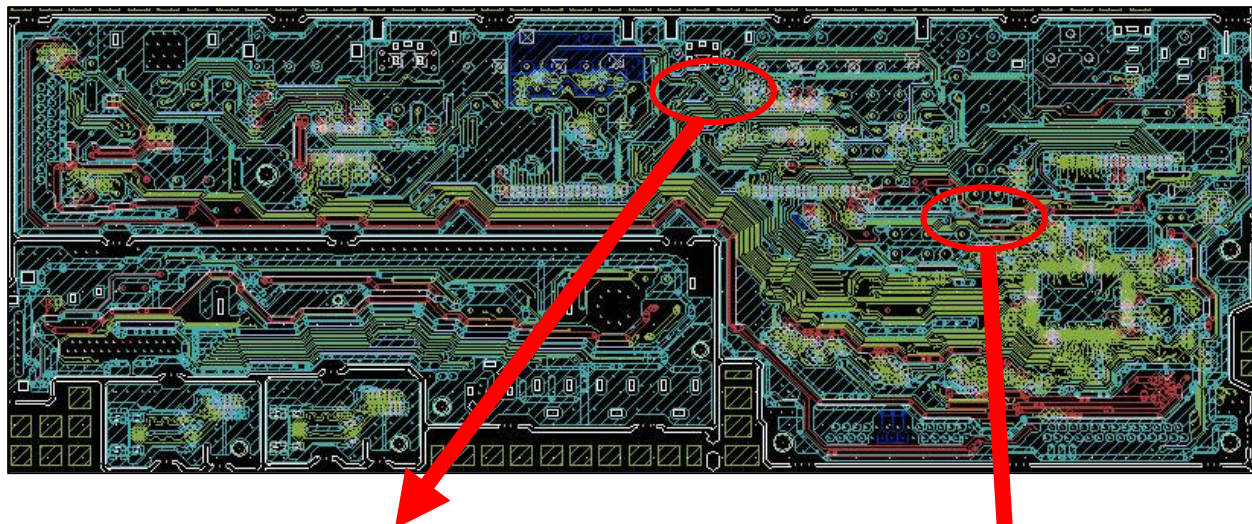


Refer to: RRV3173 page22 loc.D-3 RRV3149 page 22 loc.D-3 RRV3182 page 22 loc.D-3

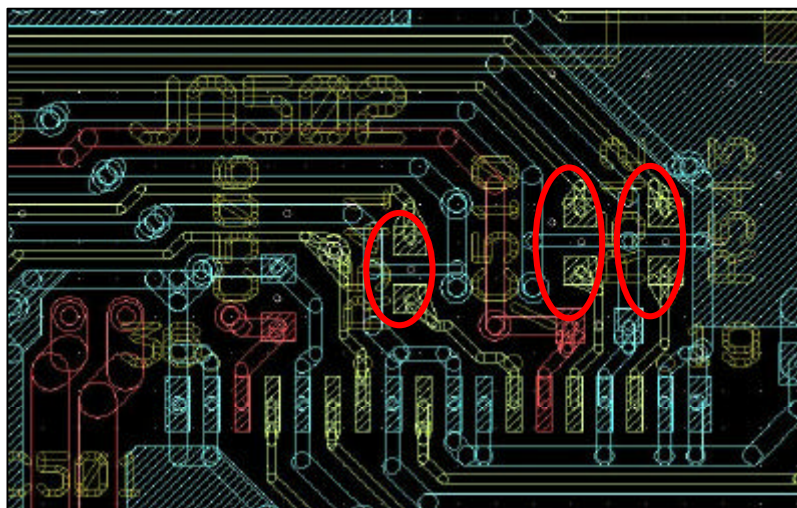
R520,R521,R522
change:(new)RS1/16S0R0J



JACB ASSY: PCB CONNECTION DIAGRAM

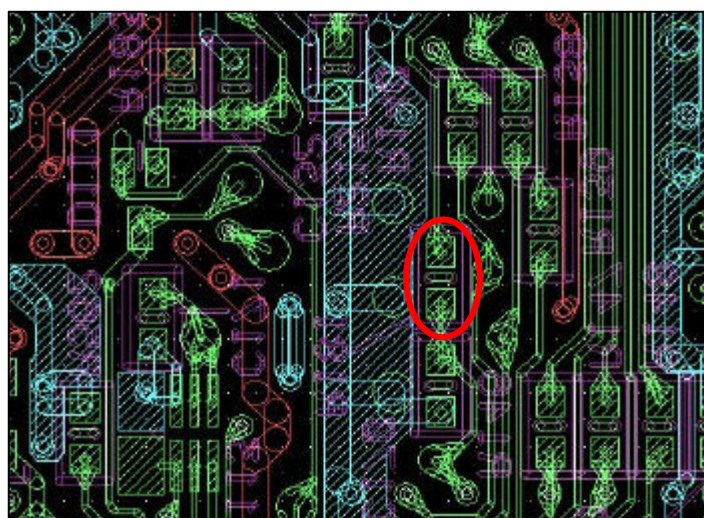


<SIDE A>



R541 R542 R543

<SIDE B>



R181