

Service Manual

ORDER NO.
RRV2646

DVD/CD RECEIVER

XV-HTD5

THIS MANUAL IS APPLICABLE TO THE FOLLOWING MODEL(S) AND TYPE(S).

Type	Model	Power Requirement	Region No.	Remarks
	XV-HTD5			
YPWXJ	○	AC240V	4	

● This service manual should be used together with the following manual(s):

Model No.	Order No.	Remarks
XV-HTD50/MYXJ	RRV2634	

CONTENTS

1. CONTRAST OF MISCELLANEOUS PARTS	2
2. SCHEMATIC DIAGRAM	6

1. CONTRAST OF MISCELLANEOUS PARTS

NOTES: ● Parts marked by "NSP" are generally unavailable because they are not in our Master Spare Parts List.

- The Δ mark found on some component parts indicates the importance of the safety factor of the part. Therefore, when replacing, be sure to use parts of identical designation.
- Screws adjacent to ∇ mark on product are used for disassembly.
- Reference Nos. indicate the pages and Nos. in the service manual for the base model.
- For the applying amount of lubricants or glue, follow the instructions in this manual. (In the case of no amount instructions, apply as you think it appropriate.)

● When ordering resistors, first convert resistance values into code form as shown in the following examples.

Ex.1 When there are 2 effective digits (any digit apart from 0), such as 560 ohm and 47k ohm (tolerance is shown by J=5%, and K=10%).

560 Ω	→	56 × 10 ¹	→	561	RD1/4PU	5	6	1	J
47k Ω	→	47 × 10 ³	→	473	RD1/4PU	4	7	3	J
0.5 Ω	→	R50			RN2H	R	5	0	K
1 Ω	→	1R0			RSIP	1	R	0	K

Ex.2 When there are 3 effective digits (such as in high precision metal film resistors).

5.62k Ω	→	562 × 10 ¹	→	5621	RN1/4PC	5	6	2	1	F
----------------	---	-----------------------	---	------------	---------	---	---	---	---	---

■ CONTRAST TABLE

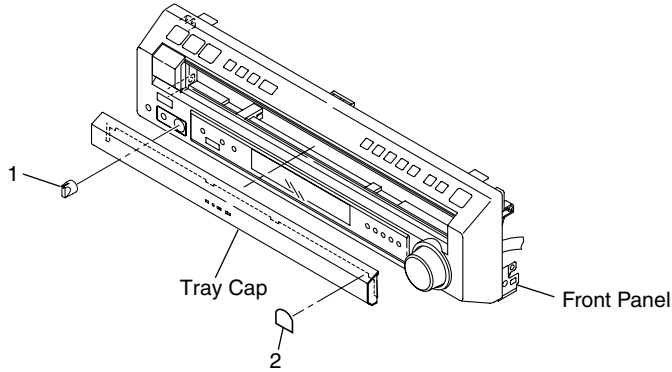
XV-HTD5/YPWXJ and XV-HTD50/MYXJ are constructed the same except for the following :

Ref. No.	Mark	Symbol and Description	Part No.		Remarks
			XV-HTD50 /MYXJ	XV-HTD5 /YPWXJ	
P9- 2		PCB ASSEMBLIES MAIN ASSY	XWX3056	XWX3058	
P9- 3		CONNECT ASSY	XWX3061	XWX3063	
P9- 5	NSP	COMPLEX ASSY	XWM3202	XWM3204	
P9- 7		└ PRIMARY ASSY	XWZ3589	XWZ3591	
P9- 8		└ F. AMP ASSY	XWZ3596	XWZ3597	
P9- 8		└ R. AMP ASSY	XWZ3600	XWZ3601	
P9- 9		└ SPEAKER ASSY	XWZ3604	XWZ3603	
P9-11		└ DISPLAY ASSY	XWZ3606	XWZ3607	
P11- 1		└ HP MIC ASSY	XWZ3609	XWZ3610	
P9-12		FM/AM TUNER Module	AXQ7229	AXQ7228	
		PACKING SECTION			
P7- 1	Δ	Power Cord	ADG1154	ADG1160	
P7- 6		FM Antenna	ADH7030	ADH7004	
P7- 9	NSP	Warranty Card	ARY7022	ARY7047	
P7-14		Packing Case	XHD3299	XHD3318	
P7-15		Operating Instructions (French/Italian/German)	XRC3062	Not used	
P7-16		Operating Instructions (Dutch)	XRC3063	Not used	
P7-17		Operating Instructions (Spanish)	XRC3064	Not used	
		EXTERIOR SECTION			
P9-17	NSP	4P F.F.C/60V	XDD3109	Not used	
P9-17		7P F.F.C/60V	Not used	XDD3110	
P9-24		Rear Panel	XNC3165	XNC3169	
P9-54		Getter	XAX3324	XAX3325	
		Round Knob S	Not used	XAB3022	No. 1
	NSP	Energy Star Label	Not used	AAX7876	No. 2
		FRONT PANEL SECTION			
P11-12	NSP	Front Panel Assy	XXG3126	XXG3127	
P11-13		Display Panel	XAK3340	XAK3341	
P11-16		Front Panel	XMB3087	XMB3088	

Notes : For PCB ASSEMBLIES, Refer to "CONTRAST OF PCB ASSEMBLIES" and "2. SCHEMATIC DIAGRAM".

The numbers in the remarks column correspond to the numbers on the "EXPLODED VIEWS".

EXPLODED VIEWS



CONTRAST OF PCB ASSEMBLIES

HF MAIN ASSY

XWX3058 and XWX3056 are constructed the same except for the following :

Mark	Symbol and Description	Part No.		Remarks
		XWX3056	XWX3058	
IC3002		Not used	BA4558MD	
IC3181		Not used	AN4558NS	
IC5701		BU1923F	Not used	
C3011, C3014		Not used	CEAT100M50	
C3185		Not used	CEJQ100M35	
C3186, C3187		Not used	CKSRYB473K25	
C3913, C3914		CKSRYB103K50	CKSRYB102K50	
C5701		CKSRYB271K50	Not used	
C5702		CEAT100M50	Not used	
C5704		CKSRYB103K50	Not used	
C5705, C5706		CCSRCH270J50	Not used	
C5707		CKSRYB561K50	Not used	
C5708		CKSRYB104K25	Not used	
C5830		Not used	CEAT101M10	
C5831		Not used	CEAT101M25	
R3181		Not used	RSD1/4PU332J	
R3182		Not used	RS1/16S332J	
R3183, R3184, R3254, R3258, R3263, R3264		Not used	RS1/16S103J	
R5566, R5703		Not used	RS1/16S103J	
R3186, R5705		RS1/16S0R0J	Not used	
R3189, R3190		Not used	RS1/16S682J	
R3255, R3257, R3259, R3261, R5702		Not used	RS1/16S473J	
R3256, R3260		Not used	RS1/16S182J	
R5558		RS1/16S153J	RS1/16S103J	
R5559		RS1/16S562J	RS1/16S822J	
R5701		RD1/4PU101J	Not used	
R5745, R5746		RS1/16S682J	RS1/16S224J	
R5830		Not used	RS1/16S224J	
R5831		Not used	RS1/16S101J	
CN5501 4P FFC CONNECTOR		52045-0445	Not used	
CN5502 7P FFC CONNECTOR		Not used	52045-0745	
KN5701 EARTH METAL FITTING		VNF1084	Not used	
X5701 CRYSTAL RESONATOR (4.332MHz)		ASS7004	Not used	

I F F. AMP ASSY

XWZ3597 and XWZ3596 are constructed the same except for the following :

Mark	Symbol and Description	Part No.		Remarks
		XWZ3596	XWZ3597	
△	L3361, L3362, L3661 C3773 R3361, R3362, R3661	ATH1009 Not used RD1/2PMF101J	ATH1004 CEAT101M35 RD1/2PMF100J	

J F R. AMP ASSY

XWZ3601 and XWZ3600 are constructed the same except for the following :

Mark	Symbol and Description	Part No.		Remarks
		XWZ3600	XWZ3601	
△	L3461, L3462, L3561 R3461, R3462, R3561	ATH-059 RD1/2PMF101J	ATH-133 RD1/2PMF100J	

K F SPEAKER ASSY

XWZ3603 and XWZ3604 are constructed the same except for the following :

Mark	Symbol and Description	Part No.		Remarks
		XWZ3604	XWZ3603	
	C3365-C3368, C3371-C3373 C3465-C3468, C3471, C3472, C3565, C3567, C3571 C3369, C3370, C3669 (0.01μF) C3469, C3470, C3569 R3365-R3368, R3465-R3468, R3565, R3567	CKSQYB104K50 CKSQYB104K50 XCG3008 CKSRYP103K50 RS1/16S100J	Not used Not used Not used Not used Not used	

L F CONNECT ASSY

XWX3063 and XWX3061 are constructed the same except for the following :

Mark	Symbol and Description	Part No.		Remarks
		XWX3061	XWX3063	
	IC5353 C5241, C5247 C5242, C5248 C5271, C5272 R5241-R5248 R5250 R9001, R9002	Not used Not used Not used CCSRCH101J50 Not used Not used RS1/16S0R0J	AN4558NS CEJQ100M35 CCSRCH470J50 CCSRCH221J50 RS1/16S332J RS1/16S0R0J Not used	

O F DISPLAY ASSY

XWZ3607 and XWZ3606 are constructed the same except for the following :

Mark	Symbol and Description	Part No.		Remarks
		XWZ3606	XWZ3607	
	CN5807 4P FFC CONNECTOR CN5807 7P FFC CONNECTOR	52044-0445 Not used	Not used 52044-0745	

T F PRIMARY ASSY

Although XWZ3591 and XWZ3589 are different in part number, they have the same service parts.

OF MIC HP ASSY

XWZ3610 and XWZ3609 are constructed the same except for the following :

Mark	Symbol and Description	Part No.		Remarks
		XWZ3609	XWZ3610	
	IC5802	Not used	NJM4558MD	
	C5805	Not used	CKSRYB681K50	
	C5806	Not used	CEAL1R0M50	
	C5807, C5812, C5813	Not used	CEAL100M16	
	C5809	Not used	CKSRYB471K50	
	C5810	Not used	CKSRYB104K25	
	C5811	Not used	CKSRYB473K25	
	R5814	Not used	RS1/16S101J	
	R5866	Not used	RS1/16S222J	
	R5867, R5872, R5874	Not used	RS1/16S104J	
	R5868, R5885	Not used	RS1/16S223J	
	R5869	Not used	RS1/16S224J	
	R5870	Not used	RS1/16S681J	
	R5871	Not used	RS1/16S102J	
	VR5801	Not used	XCS3007	
	JA5801 MINI JACK	Not used	AKN7005	

PCB PARTS LIST

Mark	No.	Description	Part No.	Mark	No.	Description	Part No.
------	-----	-------------	----------	------	-----	-------------	----------

GF FM/AM TUNER MODULE

SEMICONDUCTORS

IC201	BA1451F	C101, C102, C208, C220, C239	CKSRYB103K50
IC202	LC72131MD	C242, C601	CKSRYB103K50
Q201, Q204, Q205	2SC2412K	C216, C217	CKSRYB123K50
Q202	DTA124ES	C225	CKSRYB153K50
Q203	DTC124EK	C201, C205, C209, C214, C230	CKSRYB223K50
D201	1SS133	C236, C603	CKSRYB223K50
D202	MTZJ5.1C	C221	CKSRYB224K10
		C202, C222	CKSRYB473K16
		C215	CKSRYB681K50

COILS AND FILTERS

L201	FM DETECTOR COIL	ATE7003
F202	CERAMIC FILTER	ATF-107
F201	CERAMIC FILTER	ATF-119
F203	AM CERAMIC FILTER	ATF1155

CAPACITORS

C206	CCSRCH100D50
C212, C213, C226, C233-C235	CCSRCH101J50
C240	CCSRCH101J50
C231, C232	CCSRCH150J50
C223	CEAT100M50
C229	CEAT101M10
C224	CEAT1R0M50
C227	CEAT220M25
C241	CEAT2R2M50
C243	CEAT330M16
C228	CEAT3R3M50
C237	CEAT470M10
C211	CEJA1R0M50
C210	CEJA470M16
C204, C238, C602	CKSRYB102K50

RESISTORS

R211	RD1/4PU221J
R221	RD1/4PU222J
R233	RD1/4PU391J
R243	RS1/10S0R0J
R103	RS1/10S331J
R104	RS1/10S391J
Other Resistors	RS1/16S□□□J

OTHERS

CN201	13P CONNECTOR	52044-1345
BN201	TERMINAL 4P	AKA7003
	SHIELD CASE T	ANK7072
	SHIELD CASE B	ANK7073
X201	CRYSTAL RESONATOR (7.2000MHz)	ASS1093
	FM FRONT END	AXF7003
	AM RF TUNING BLOCK	AXX7071

2. SCHEMATIC DIAGRAM

Note : When ordering service parts, be sure to refer to "EXPLODED VIEWS and PARTS LIST" or "PCB PARTS LIST"

2.1 FM/AM TUNER MODULE

Notes

1. RESISTORS

Indicated in Ω , $1/16W \pm 5\%$ Tolerance unless otherwise noted K:K Ω , M:M Ω .

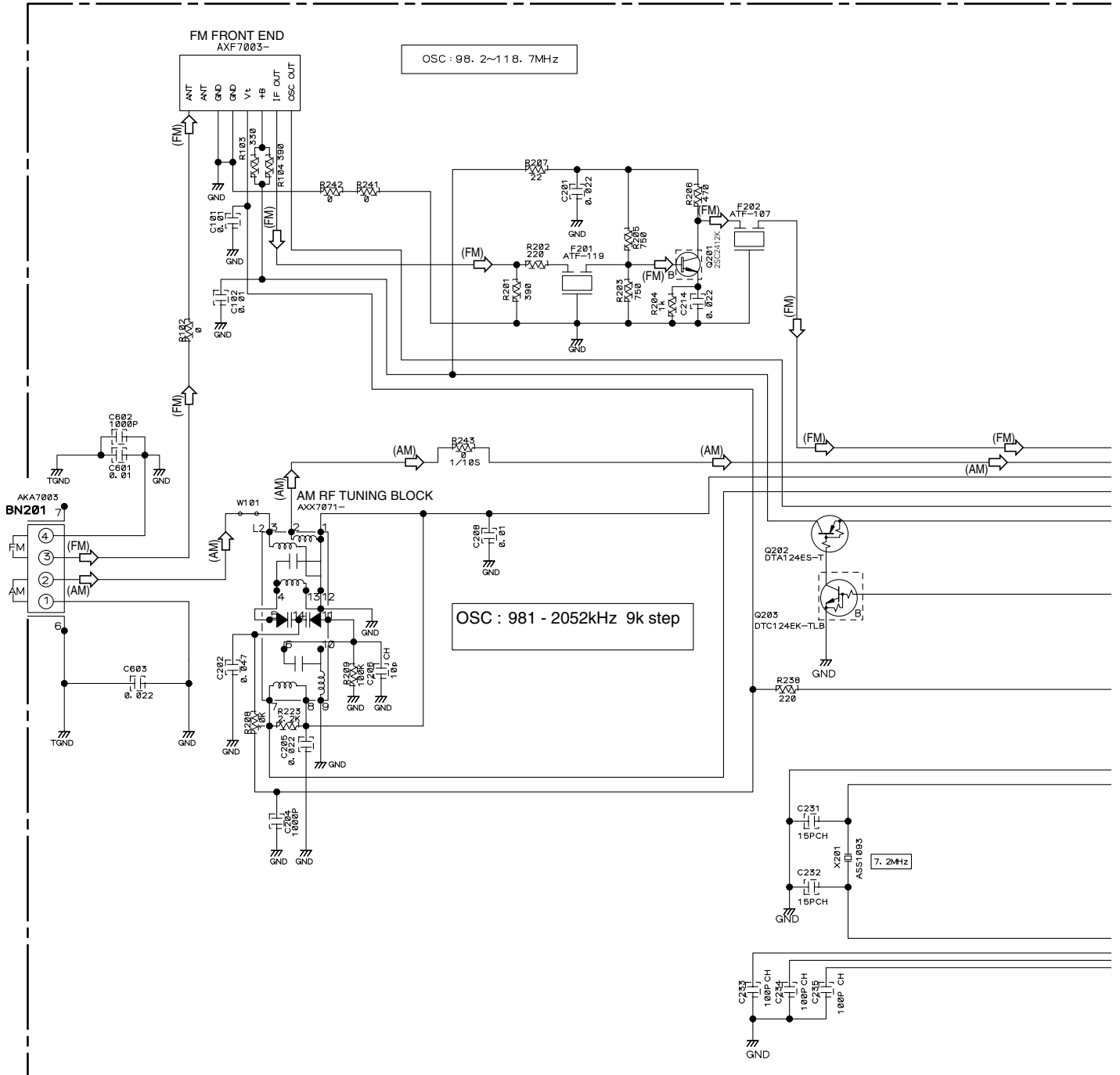
2. CAPACITORS


Indicated in Capacity (μF)/VOLTAGE (V) unless otherwise noted P:PF.

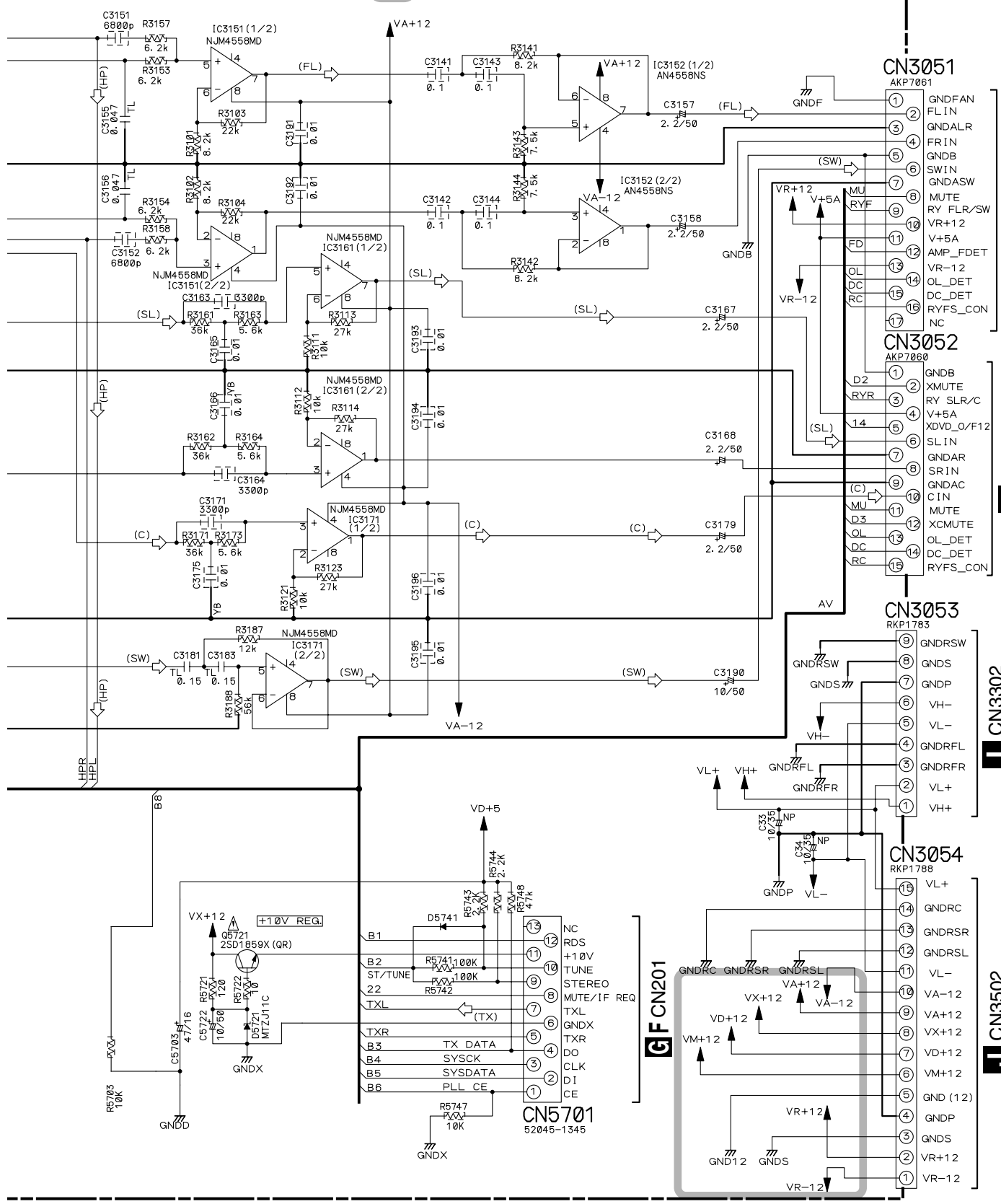
3. DIODES




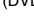
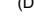
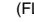
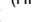

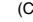
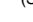
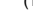
No mark diode is 1SS133.

GF FM/AM TUNER MODULE (AXQ7228)



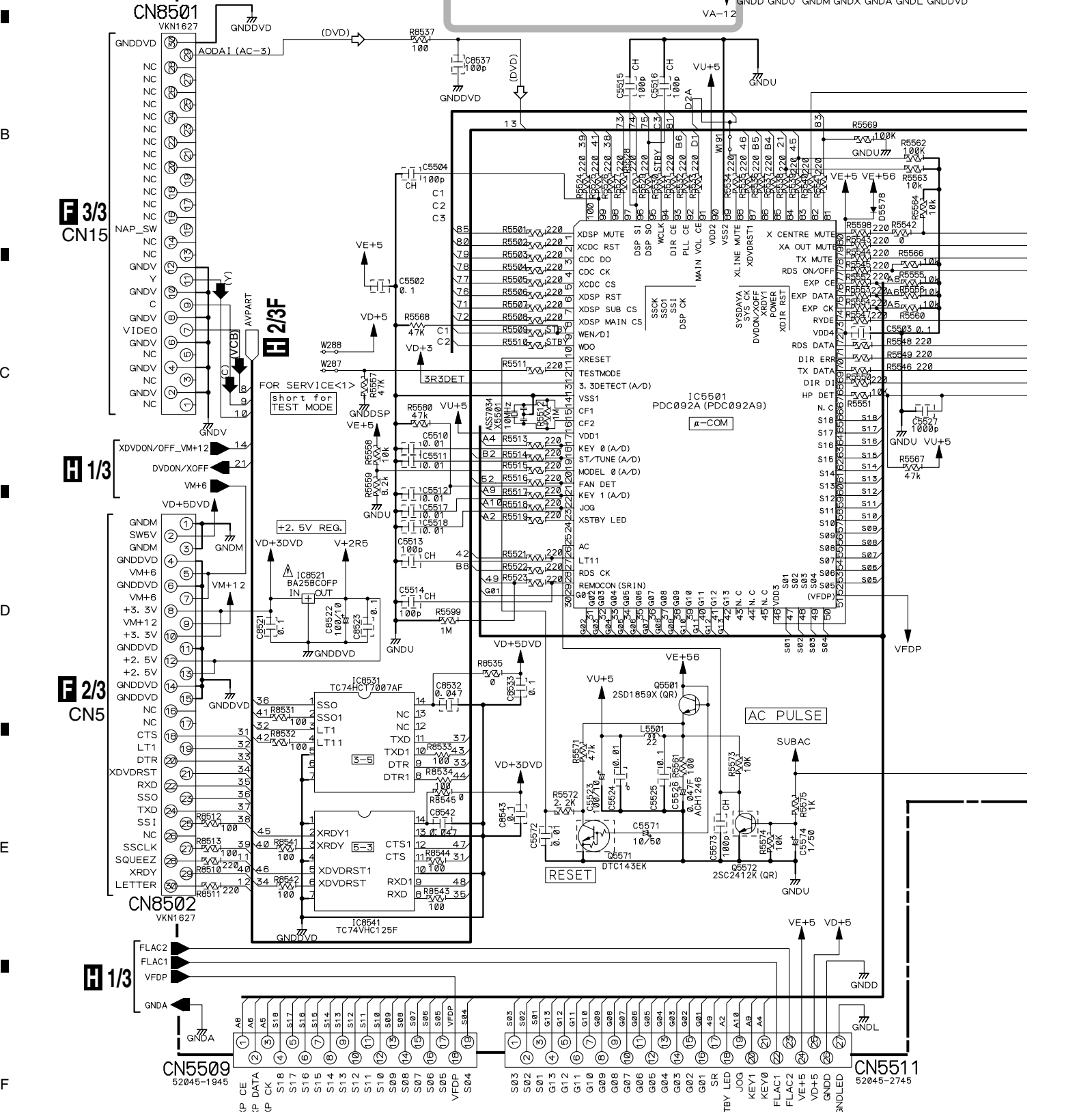
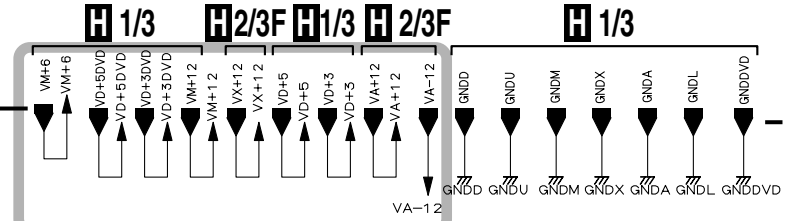
 : The power supply is shown with the marked box.



- (VCB)  : VCB SIGNAL ROUTE
- (Y)  : Y SIGNAL ROUTE
- (C)  : C SIGNAL ROUTE
- (DVD)  : DVD AUDIO SIGNAL ROUTE
- (DI)  : DI AUDIO SIGNAL ROUTE
- (FL)  : FL AUDIO SIGNAL ROUTE
- (HP)  : HP AUDIO SIGNAL ROUTE
- (SL)  : SL AUDIO SIGNAL ROUTE
- (C)  : C AUDIO SIGNAL ROUTE
- (SW)  : SW AUDIO SIGNAL ROUTE
- (TX)  : TX AUDIO SIGNAL ROUTE

2.3 MAIN ASSY (3/3)

H 3/3F MAIN ASSY (XWX3058)

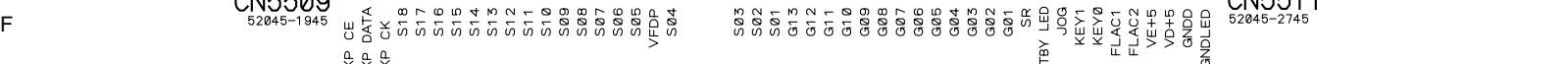


F 3/3 CN15

H 1/3

F 2/3 CN5

H 1/3



○ CN5801

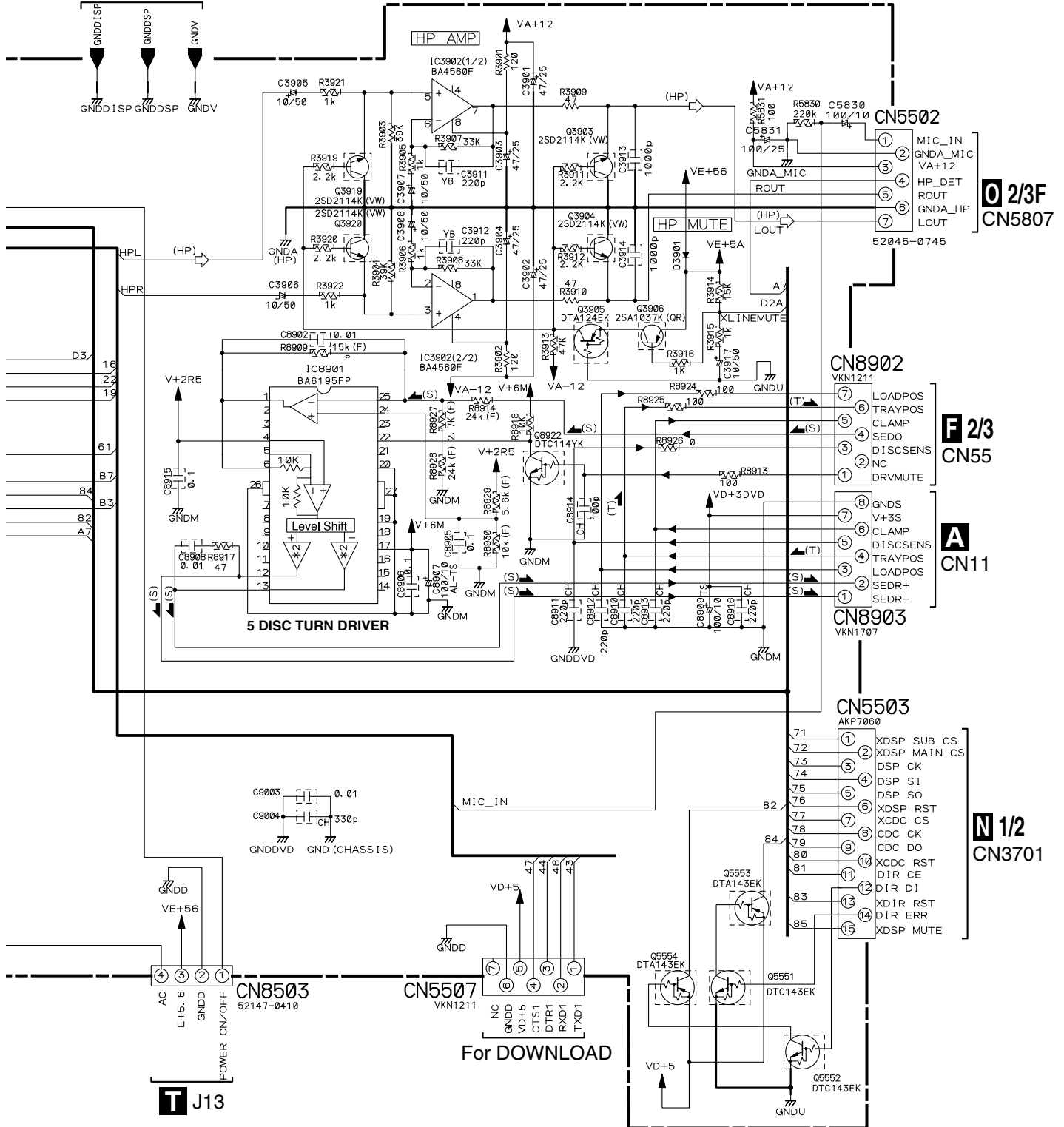
○ CN5802

H 3/3F

XV-HTD5

H 1/3

The power supply is shown with the marked box.



NOTES

ALL CAPACITORS ARE IN μ F UNLESS OTHERWISE SPECIFIED
 CH : CCSRCH
 SL : CCSRSL
 (OTHER : CKSRVB)
 AL : CEAL
 (OTHER : CEAT***MHH)
 ALL RESISTORS ARE IN Ω
 1/16W 1/4WPU (F) 1%

ALL INDUCTORS ARE IN μ H
 LAU
 NO MARK DIODE
 1SS355 1SS133

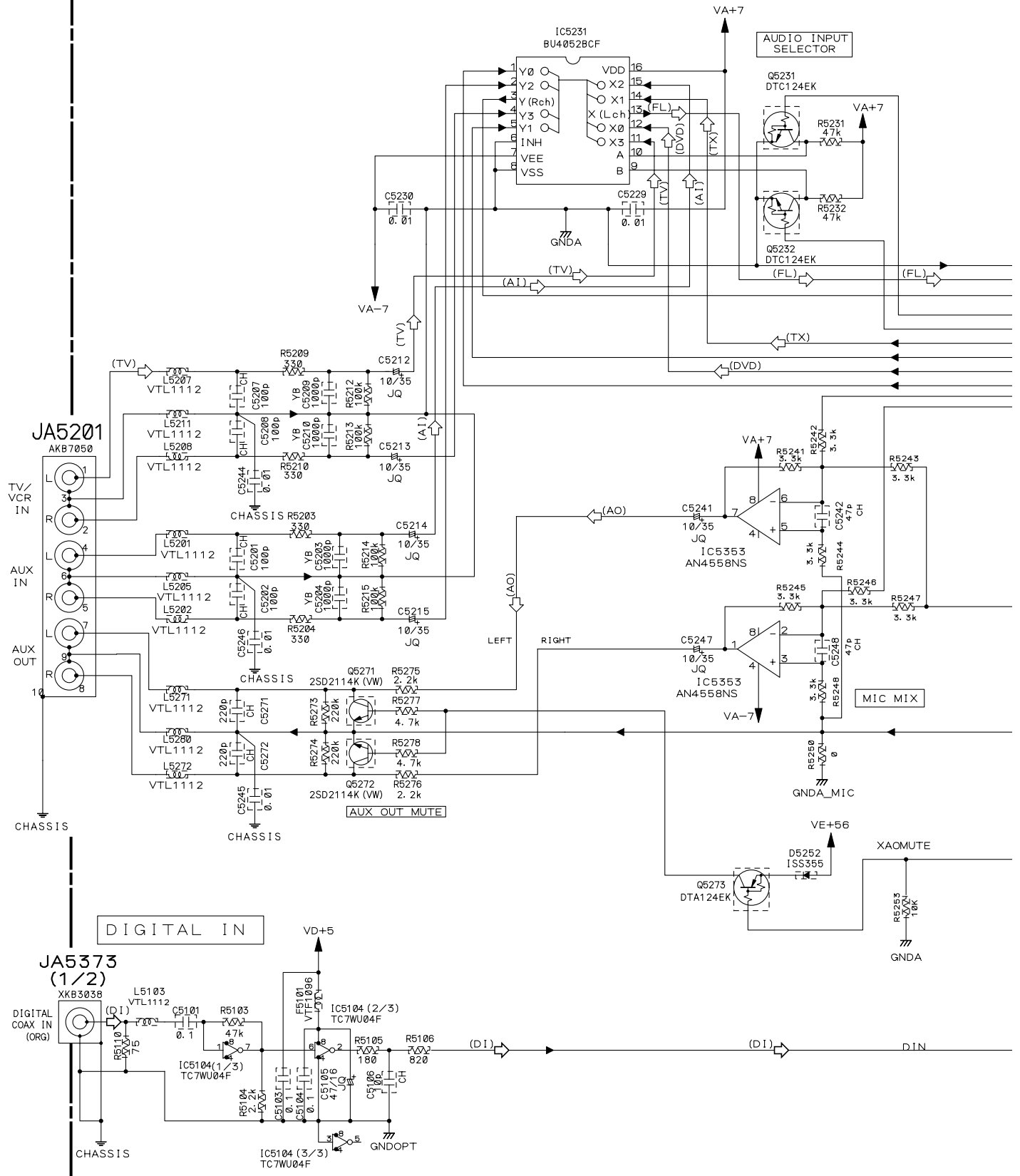
- (VCB) : VCB SIGNAL ROUTE
- (Y) : Y SIGNAL ROUTE
- (C) : C SIGNAL ROUTE
- (DVD) : DVD AUDIO SIGNAL ROUTE
- (HP) : HP AUDIO SIGNAL ROUTE
- (T) : TRAY POSITION SERVO LOOP LINE
- (S) : SEDO SERVO LOOP LINE

T J13

H 3/3F

2.4 CONNECT and B TO B ASSYS

LF CONNECT ASSY (XWX3063)



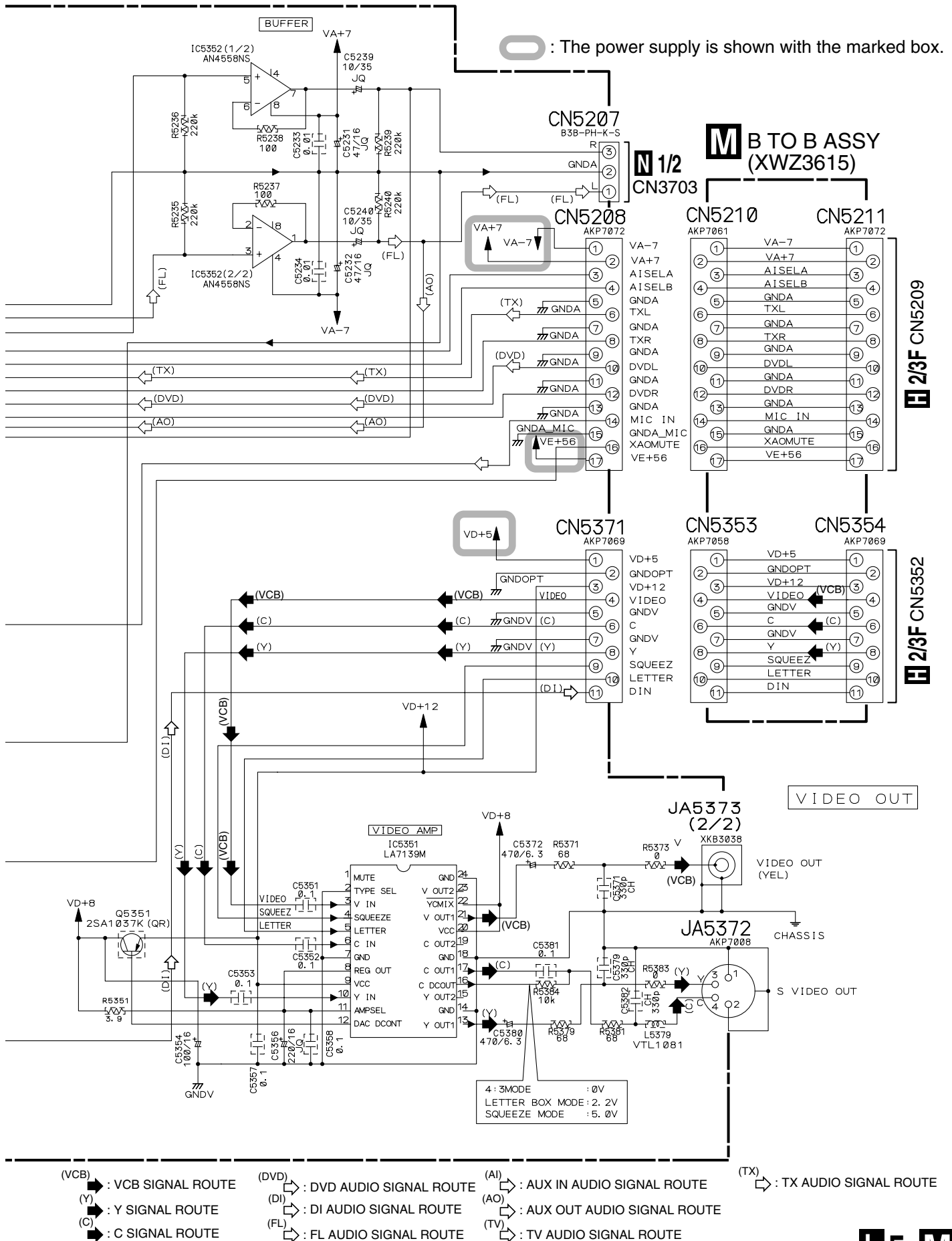
DIGITAL IN

JA5373 (1/2)

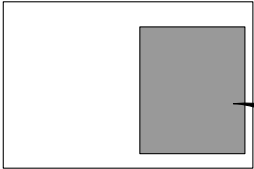
[NOTES]

- ALL CAPACITORS ARE IN #F UNLESS OTHERWISE SPECIFIED
- CH : CCSRCH
- YF : CKSRFY
- (OTHER : CKSRYB)
- CEAT***M###
- CEJQ***M###
- ALL RESISTORS ARE IN Ω
- 1/16W
- 1/4WPU
- NO MARK DIODE
- 1SS355



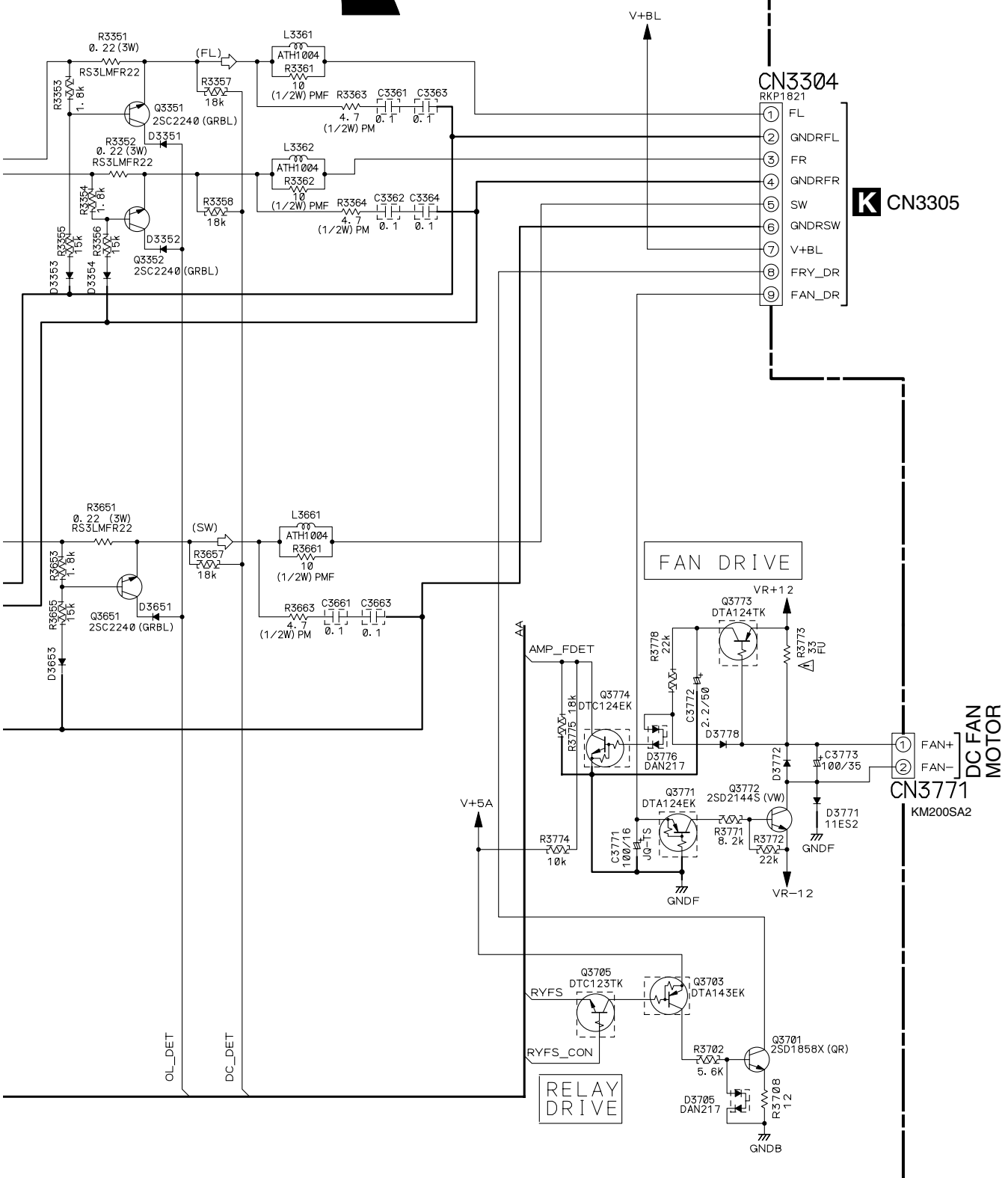


2.5 F. AMP ASSY



F F. AMP ASSY (XWZ3597)

A
B
C
D
E
F



• NOTE FOR FUSE REPLACEMENT

CAUTION -FOR CONTINUED PROTECTION AGAINST RISK OF FIRE. REPLACE WITH SAME TYPE AND RATINGS ONLY.

