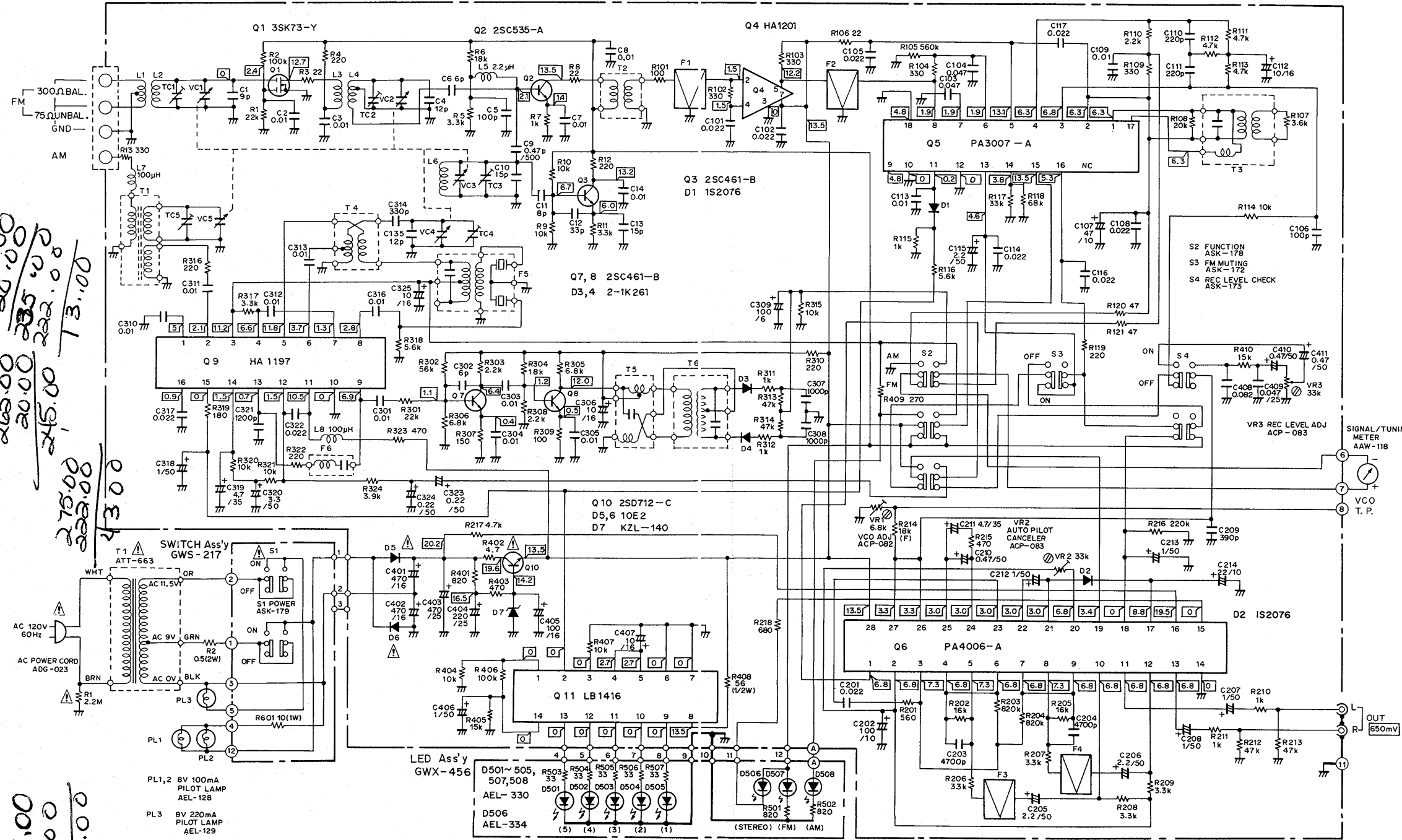


SCHEMATIC DIAGRAM

TUNER Ass'y GWM-156



- 1. RESISTORS:**
Indicated in Ω , $\frac{1}{4}W$, $\pm 5\%$ tolerance unless otherwise noted k : k Ω , M : M Ω , (F) : $\pm 1\%$, (G) : $\pm 2\%$, (K) : $\pm 10\%$ tolerance
- 2. CAPACITORS:**
Indicated in capacity (μF)/voltage (V) unless otherwise noted p : pF
Indication without voltage is 50V except electrolytic capacitor.

- 3. VOLTAGE, CURRENT:**
V : DC voltage (V) at no input signal
mV : Signal voltage at FM 400Hz 75kHz 1V \div V.

- 4. OTHERS:**
⊗ : Adjusting point.
The Δ mark found on some component parts indicates the importance of the safety factor of the part. Therefore, when replacing, be sure to use parts of identical designation.

This is the basic schematic diagram, but the actual circuit may vary due to improvements in design.

- SWITCHES:**
S1 : POWER ON - OFF
S2 : FUNCTION FM - AM
S3 : FM MUTING ON - OFF (MONO)
S4 : REC LEVEL CHECK ON - OFF
The underlined indicates the switch position.

Handwritten notes and calculations on the left side of the schematic:

200.00
255.00
255.00
20.00
222.00
13.00

200.00
55.00
265.00
20.00
245.00
13.00

200 55.00
210.00
265.00
20
245.00

213
220

215.00
+ 7.00
222.00

SIGNAL/TUNING METER AAW-118
VCO T. P.

OUT 50mV